



Totally Focused. Totally Independent.

Technical Guide

EC040/4 A

The world's largest
independent producer of
alternators 1 – 5,000kVA

Standards

Alternators are designed and produced within an ISO 9001 environment. The entire series is manufactured according to, and complies with, the most common specifications such as CEI 2-3, IEC 34-1, EN 60034-1, VDE 0530, BS 4999-5000, NF 51.111, CAN/CSA-C22.2 No14-95-No100-95, NEMA MG 1-2011, ISO 8528-3. Other standards such as UL1446, UL 1004/4 and /B are available on request.

Windings and Performances

All windings are 2/3rds pitch to eliminate triplen harmonics within the voltage waveform and to avoid excessive neutral currents in certain parallel operating conditions. A fully interconnected aluminium or copper damper cage is supplied on the rotor of all models (excluding the ECP3 series).

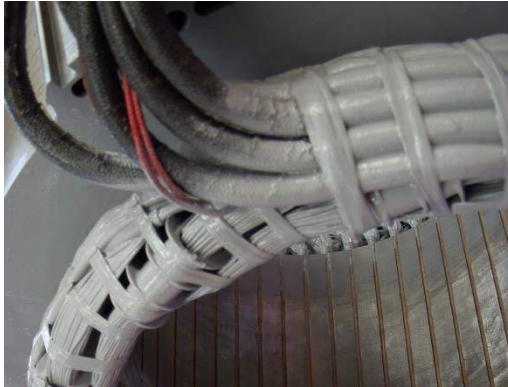
- ▶ 12 wire reconnectable:
 - 50Hz – 380V to 440V and 220/110V to 240/120V (de-rates may apply at certain voltages)
 - 60Hz – 380V to 480V and 220/110V to 240/120V (de-rates may apply at certain voltages)
- ▶ 6 wire reconnectable:
 - 50Hz – 380V to 440V and 220V to 240V (de-rates may apply at certain voltages)
 - 60Hz – 380V to 480V and 220V to 240V (de-rates may apply at certain voltages)

Winding Configurations	Standard		Special (dedicated)			
	12 wire Reconnectable	6 wire Reconnectable	380V and 600V 60Hz	690V 50/60Hz	220-240V 1ph 50Hz	220-240V 1ph 60Hz
ECP3 to ECO38	Std	Option	Option	Option	Option	Option
ECO40 to ECO46	Std	Option	Option	Option	Option (to ECO40)	Option (to ECO40)
Insulation materials	Class H	Class H	Class H	Class H	Class H	Class H
High efficiency	Std	Std	Std	Std	Std	Std
High motor starting	>300%	>300%	>300%	>300%	>300%	>300%
THD (Total Harmonic Distortion)	Typically <3.5% full load L-L	Typically <3.0% full load L-L	Typically <3.5% full load L-L	Typically <3.5% full load L-L	Typically <4.5% full load L-N	Typically <4.5% full load L-N
Interference suppression	VDE 0875 G/N/K, EN61000-6-3, EN61000-6-2, others available on request					

Winding Protection

There are various degrees of protection for the windings following the standard impregnation process, as can be seen here. The TOTAL or TOTAL+ butadienic black flexible coating is recommended for arduous applications.

Winding Protection:	STANDARD	STANDARD+	GREY	TOTAL (3% de-rate may apply on certain models)	TOTAL+ (3% de-rate may apply on certain models)
ECP3	Std	Option	Option	Option	Option
ECP28, NPE32 and ECP32	-	Std	Option	Option	Option
ECP34 to ECO46	-	-	Std	Option	Option



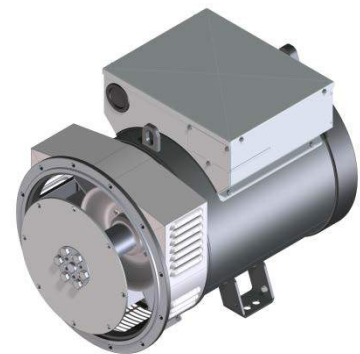
Grey treatment (marinization) on the left, TOTAL treatment shown on the right. The EG43 grey varnish, is an high temperature insulating enamel that forms a tough and flexible film, with excellent moisture and chemical protection. It is water and oil proof, and also protects windings from abrasion. It is applied spraying an over coating layer over the impregnated winding, or dipping the stator in a varnish barrel for superior treatments

The TOTAL is a protection system that makes Mecc Alte special. It is the ultimate winding treatment that offers truly superior performances when the environment is really harsh, or the application very demanding. It is a rubbery protection treatment, used to replace epoxies and silicones winding encapsulation. The TOTAL flexible black compound cures to a tough, resilient, glossy black thick coating that seals the copper against moisture and chemical attacks. Due to its encapsulation capability and flexibility, is also extremely resistant to the particle abrasion as it adsorbs the impacts. Moreover, the high flexibility leads to a long-trouble less life protection, as the compound follows elastically the thermal expansion cycles of the windings from the cold to the hot condition and vice versa without forming any cracks.

Protection for Environment

In addition to protection on the windings themselves, the alternators can have increased ingress protection. Standard levels are IP23 with further upgrades available to include inlet filters, IP43 and IP45: 7% de-rates apply on inlet filters and IP43 protection. 20-30% de-rates apply for IP45 depending on alternator model.

Additional air exit louvres (called IP23+) are optionably retrofittable in the overall ECP32 to ECO 46 range, in order to comply to the most strict marine regulations.

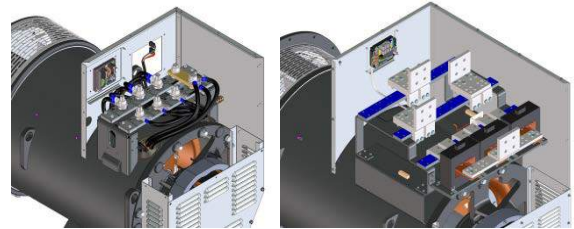


Construction

The robust mechanical structure withstands up to 5G in any direction and 9G vertically and its design permits easy access to the connections and components during routine maintenance check-ups. The mechanical design has used the most advanced FEM techniques. The materials used are: FEPI2 steel for the frame, C45 steel for the shaft and cast iron or aluminum pressure die cast for the end-brackets: fans are aluminum die casted either nylon fiber glass loaded, UL compliant materials. Rotors are dynamically balanced according grade 2.5 of ISO 1940-1.

Terminals and Terminal Box

Easy access to regulators is assured through a pull out drawer or a drop down panel to allow safer adjustment. Large terminal boxes allow easy access of power cables, in the ECO43 and ECO46 higher power ranges the terminal allow the convenient choice of power cable or busbar connection with versatility of entry and connection. Current transformers are available as an option on series ECO 40, 43 and 46 with single or dual output.



Excitation and Regulation Systems

All ECP/ECO series have MAUX auxiliary winding to power the digital regulator. Both DSR and the DER1 are available to connect to PC through the DxR2 USB interface and DxR TERMINAL software to interrogate/download alarms & settings for analysis or for cloning other regulators. DER2 has got an integrated USB connection and can be connected to the PC without any optional connection boards. More settings such as LAMS, digital RAM based synchronous external control and soft start are obtainable through the DxR connection. Simple analogue potentiometers are available for the more usual adjustments.

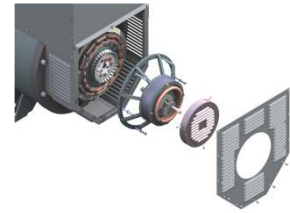
Excitation Systems	DSR	DER1	DER2
ECP3 to ECO38	Std	Option	Option
ECO40 to ECO46	-	Std	Option
Parallel Operation	√	√	√
Mains Parallel	√	√	√
3 Phase Sensing (rms)	-	√	√
Accuracy	+/-1%	+/-0.5%	+/-0.5%
Remote Voltage Control	√	√	√
Alarm Log	√	√	√
Analogue and Digital Configurable	√	√	√
LAMS (Load Acceptance V/f)	√	√	√
APO (Active Protection Output)	√	√	√
Soft Start	√	√	√
High dynamic response	-	-	√
USB connection without external boards	-	-	√

For a given motor start duty a smaller machine may be selected – also enhanced by low sub-transient reactance values for non-linear loads. The whole range from 6.5 to 3400kVA is capable of >300% sustained short circuit current for up to 20 seconds.

Optional PMG3

PMG3 can be retro fit or factory fit on ECO 40, 43 and 46 series. This smart MeccAlte design allows an easy fix kit, through a tapered cone coupling and a simple replacement of the rear air louvre. PMG3 is also available on ECO 38, when ordered from the factory.

The complete AVR range is fully compatible with both MAUX and PMG3 systems, this minimises spare part management and flexibility of stock as one AVR suits all applications. The PMG3 is delivering the same amount of kVA available with the MAUX.



Accessories

Additional optionals can be fit on our alternator series, such as PTC thermistors or PT100 both on windings and bearings, space heaters, high and low profile of terminal boxes (on most series), air filter clogging sensors, rotating diode bridge failure sensor (RBD), power factor controller for parallel operation (PFR/2), parallel devices (standard from ECO 40), air filters, IP43 and IP45 protections, marine IP23 + protection for SOLAS requirements and many others.

Deration coefficients

Altitude (meters)	Ambient temperature (Celsius)					
	25	40	45	50	55	60
≤ 1000	1.07	1	0.96	0.93	0.91	0.89
$> 1000 \leq 1500$	1.01	0.96	0.92	0.89	0.87	0.84
$> 1500 \leq 2000$	0.96	0.91	0.87	0.84	0.83	0.79
$> 2000 \leq 3000$	0.9	0.85	0.81	0.78	0.76	0.73

Notes on short circuit curves

The indicated coefficients have to be used to correct the three phase short circuit curves values as a function of the rated voltage.

The indicated coefficient have to be used to correct the three phase short circuit curves values as a function of the type of short circuit voltage.

50 Hz		60 Hz	
Voltage	Factor	Voltage	Factor
380	0.93X	415	0.85X
400	1X	440	0.90X
415	1.04X	460	0.95X
440	1.10X	480	1X

	3 phase	2 phase L-L	1 phase L-N
<i>Istantaneous</i>	1X	0.87X	1.30X
<i>Minimum</i>	1X	1.80X	3.20X
<i>Sustained</i>	1X	1.50X	2.50X
<i>Max Duration</i>	20 sec.	10 sec.	4 sec.

All the curves are shown for series or parallel star connection at 400V 50 Hz or 480V 60 Hz. If the unit is reconnected from series to parallel star, the additional coefficient is 2X. From series star to series delta, it is 1.72X. From series star to parallel delta, it is 3.44X.

General Characteristics

Pole number	4	Insulation class	H
Phase Number	3	Protection class	IP23
Number of wires	12	NDE bearing	6318.2RS
Execution	Brushless	DE bearing	6322
Regulator type	DER-1	Maximum overspeed	2250
Winding pitch	2/3	Altitude	0-1000
Winding code	T04055	Balancing	ISO1940-1

Ratings 50Hz

kVA / kW @ Temp. Rise / Ambient °C - 0.8 PF		STANDBY-163/27				STANDBY-150/40				H-125/40				F-105/40				B-80/40			
Series	Star Y	760V	800V	830V	880V	760V	800V	830V	880V	760V	800V	830V	880V	760V	800V	830V	880V	760V	800V	830V	880V
	Parallel Star YY	380V	400V	415V	440V	380V	400V	415V	440V	380V	400V	415V	440V	380V	400V	415V	440V	380V	400V	415V	440V
	Series Delta Δ	440V	460V	480V	508V	440V	460V	480V	508V	440V	460V	480V	508V	440V	460V	480V	508V	440V	460V	480V	508V
	Parallel Delta ΔΔ	220V	230V	240V	254V	220V	230V	240V	254V	220V	230V	240V	254V	220V	230V	240V	254V	220V	230V	240V	254V
ECO40-1S/4 A	kVA	437	437	437	404	417	417	417	386	400	400	400	370	370	370	370	342	320	320	320	296
	kW	350	350	350	323	334	334	334	309	320	320	320	296	296	296	296	273	256	256	256	237
ECO40-2S/4 A	kVA	491	491	491	393	468	468	468	375	450	450	450	360	410	410	410	330	360	360	360	288
	kW	393	393	393	314	374	374	374	300	360	360	360	288	328	328	328	264	288	288	288	230
ECO40-3S/4 A	kVA	546	546	546	503	521	521	521	479	500	500	500	460	450	450	450	414	400	400	400	368
	kW	437	437	437	402	417	417	417	383	400	400	400	368	360	360	360	331	320	320	320	294
ECO40-1L/4 A	kVA	601	601	590	546	567	567	557	515	550	550	540	500	500	500	490	454	440	440	432	400
	kW	481	481	472	437	454	454	446	412	440	440	432	400	400	400	392	363	352	352	346	320
ECO40-1.5L/4 A	kVA	670	670	670	616	640	640	640	588	620	620	620	570	560	560	560	515	496	496	496	456
	kW	536	536	536	493	512	512	512	470	496	496	496	456	448	448	448	412	397	397	397	365
ECO40-2L/4 A	kVA	735	735	735	560	700	700	700	535	680	680	680	520	630	630	630	585	544	544	544	416
	kW	588	588	588	448	560	580	580	428	544	544	544	416	504	504	504	468	435	435	435	333
ECO40-VL/4 A	kVA	825	825	825	740	777	777	777	700	750	750	750	680	690	690	690	630	600	600	600	544
	kW	660	660	660	592	622	622	622	560	600	600	600	544	552	552	552	504	480	480	480	435

Ratings 60Hz

kVA / kW @ Temp. Rise / Ambient °C - 0.8 PF		STANDBY-163/27				STANDBY-150/40				H-125/40				F-105/40				B-80/40			
Series	Star Y	830V	880V	920V	960V	830V	880V	920V	960V	830V	880V	920V	960V	830V	880V	920V	960V	830V	880V	920V	960V
	Parallel Star YY	415V	440V	460V	480V	415V	440V	460V	480V	415V	440V	460V	480V	415V	440V	460V	480V	415V	440V	460V	480V
	Series Delta Δ	480V	504V	530V	554V	480V	504V	530V	554V	480V	504V	530V	554V	480V	504V	530V	554V	480V	504V	530V	554V
	Parallel Delta ΔΔ	240V	254V	265V	277V	240V	254V	265V	277V	240V	254V	265V	277V	240V	254V	265V	277V	240V	254V	265V	277V
ECO40-1S/4 A	kVA	459	492	525	525	438	469	500	500	420	450	480	480	383	410	440	440	336	360	384	384
	kW	367	394	420	420	350	375	400	400	336	360	384	384	306	328	352	352	269	288	307	307
ECO40-2S/4 A	kVA	524	557	590	590	500	532	563	563	480	510	540	540	435	460	490	490	384	408	432	432
	kW	419	446	472	472	400	426	450	450	384	408	432	432	348	368	392	392	307	326	346	346
ECO40-3S/4 A	kVA	590	634	656	656	563	604	625	625	540	580	600	600	484	520	540	540	432	464	480	480
	kW	472	507	525	525	450	483	500	500	432	464	480	480	387	416	432	432	346	371	384	384
ECO40-1L/4 A	kVA	623	669	722	722	587	649	680	680	570	630	660	660	515	570	600	600	456	504	528	528
	kW	498	535	578	578	470	519	544	544	456	504	528	528	412	456	480	480	365	403	422	422
ECO40-1.5L/4 A	kVA	714	757	805	805	683	724	770	770	660	700	744	744	600	632	672	672	528	560	595	595
	kW	571	606	644	644	546	579	616	616	528	560	595	595	480	505	537	537	422	448	476	476
ECO40-2L/4 A	kVA	778	843	882	882	741	803	840	840	720	780	816	816	665	720	756	756	576	624	653	653
	kW	622	674	706	706	593	642	672	672	576	624	653	653	532	576	604	604	461	499	522	522
ECO40-VL/4 A	kVA	930	970	970	970	885	925	925	925	860	900	900	900	790	830	830	830	688	720	720	720
	kW	744	776	776	776	708	740	740	740	688	720	720	720	632	664	664	664	550	576	576	576

Reactance & Time constants - Class H / 400V

Unsaturated (ref. EN6000034-4)			ECO40-1S/4 A	ECO40-2S/4 A	ECO40-3S/4 A	ECO40-1L/4 A	ECO40-1.5L/4 A	ECO40-2L/4 A	ECO40-VL/4 A
X_d	Direct-axis synchronous reactance	%	286,7	240,1	258,7	246,3	258,7	234,9	175,9
X_d'	Direct-axis transient reactance	%	23,3	22,1	21,7	20,1	19	18,7	16,7
X_d''	Direct-axis subtransient reactance	%	14,7	12,5	11,8	10,6	10,1	9,52	9
X_q	Quadrature-axis synchronous reactance	%	115,9	110,7	111,8	115,9	151,1	145,9	122,1
X_q'	Quadrature-axis transient reactance	%	115,9	110,7	111,8	115,9	151,1	145,9	122,1
X_q''	Quadrature-axis subtransient reactance	%	29,2	28,4	27,3	24,9	23,1	16,8	14,8
X₂	Negative-sequence reactance	%	19,1	18,2	17,3	13	11,9	14,6	12,5
X₀	Zero sequence reactance	%	3,62	3,21	3,1	2,9	2,79	2,48	2,28
Saturated									
X_d	Direct-axis synchronous reactance	%	238	199,3	214,7	204,4	214,8	195	146
X_d'	Direct-axis transient reactance	%	19,3	18,4	18	16,7	15,8	15,5	13,8
X_d''	Direct-axis subtransient reactance	%	12,2	10,4	9,79	8,76	8,42	7,9	7,47
X_q	Quadrature-axis synchronous reactance	%	96,2	91,9	92,8	96,2	125,4	121,1	101,4
X_q'	Quadrature-axis transient reactance	%	96,2	91,9	92,8	96,2	125,4	121,1	101,4
X_q''	Quadrature-axis subtransient reactance	%	24,2	23,5	22,7	20,7	19,2	13,9	12,3
X₂	Negative-sequence reactance	%	15,8	15,1	14,4	10,8	9,88	12,1	10,4
X₀	Zero sequence reactance	%	3,62	3,21	3,1	2,9	2,79	2,48	2,28
K_{cc}	Short circuit ratio		0,36	0,5	0,4	0,49	0,4	0,44	0,59
T_d'	Transient time constant	sec	0,16	0,13	0,14	0,14	0,15	0,18	0,18
T_d''	Subtransient time constant	sec	0,019	0,019	0,021	0,021	0,019	0,019	0,015
T_{do}	Open circuit time constant	sec	2,55	2,7	2,8	2,9	3,1	3,1	3,7
T_a	Armature time constant	sec	0,017	0,03	0,031	0,04	0,04	0,052	0,071

Additional information - Class H / 400V

I_o	Excitation current at no load	A	0,8	0,6	0,7	0,7	0,74	0,7	0,6
I_c	Excitation current at full load	A	3,6	3,4	3,5	3,3	3,1	4,4	3,2
Overload long-term			1 hour in a 6 hours period 110% rated load						
Overload per 20 sec.		%	300,0						
Heat dissipation		W	19703	21356	22833	24135	26655	28632	30915
Telephone Interference (THF)			<2	<2	<2	<2	<2	<2	<2
Waveform Distors.(THD) at full load (LL/LN)		%	2,6 / 2,6	2,7 / 2,8	2,4 / 2,5	2,5 / 2,5	2,2 / 2,4	2,1 / 2,1	2,2 / 2,2
Waveform Distors.(THD) at no load (LL/LN)		%	2,9 / 2,9	2,5 / 2,6	2,6 / 2,5	2,3 / 2,4	2,4 / 2,5	2,4 / 2,4	2,5 / 2,5

Reactance & Time constants - Class H / 480V

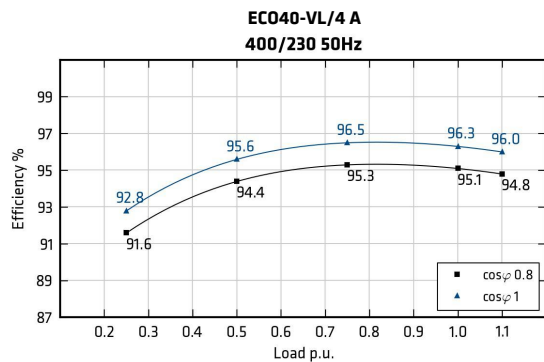
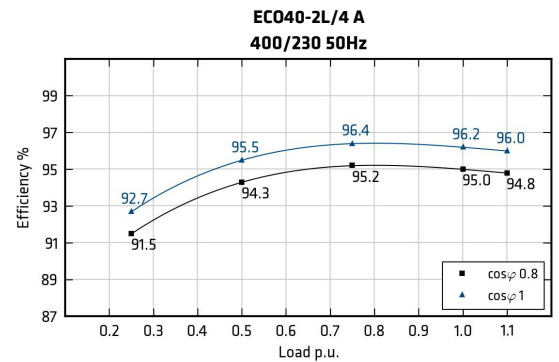
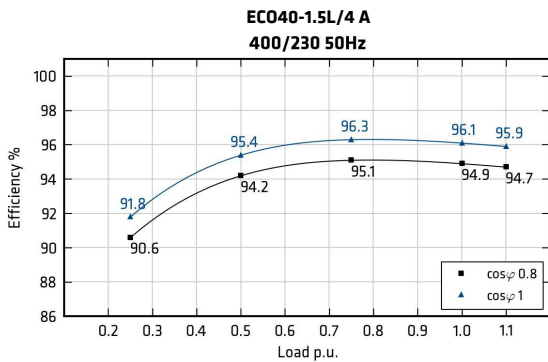
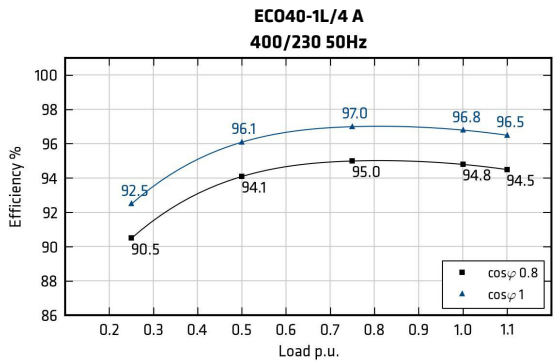
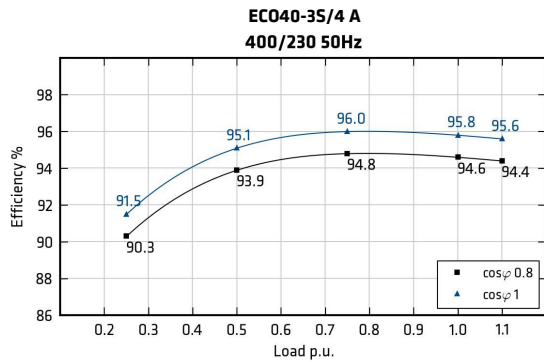
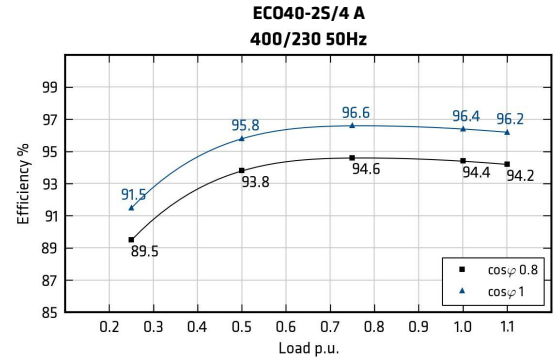
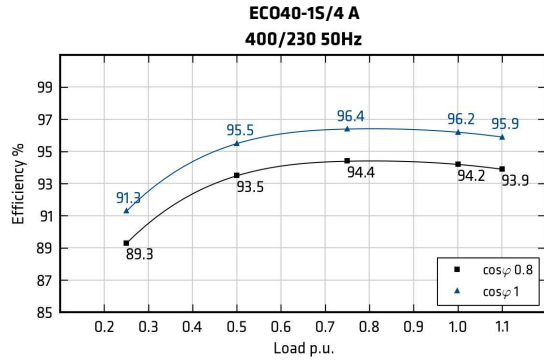
Unsaturated (ref. EN6000034-4)			ECO40-1S/4 A	ECO40-2S/4 A	ECO40-3S/4 A	ECO40-1L/4 A	ECO40-1.5L/4 A	ECO40-2L/4 A	ECO40-VL/4 A
Xd	Direct-axis synchronous reactance	%	286,7	240,1	258,7	246,3	258,7	234,9	175,9
Xd'	Direct-axis transient reactance	%	23,3	22,1	21,7	20,1	19	18,7	16,7
Xd''	Direct-axis subtransient reactance	%	14,7	12,5	11,8	10,6	10,1	9,52	9
Xq	Quadrature-axis synchronous reactance	%	115,9	110,7	111,8	115,9	151,1	145,9	122,1
Xq'	Quadrature-axis transient reactance	%	115,9	110,7	111,8	115,9	151,1	145,9	122,1
Xq''	Quadrature-axis subtransient reactance	%	29,2	28,4	27,3	24,9	23,1	16,8	14,8
X₂	Negative-sequence reactance	%	19,1	18,2	17,3	13	11,9	14,6	12,5
X₀	Zero sequence reactance	%	3,62	3,21	3,1	2,9	2,79	2,48	2,28
Saturated									
Xd	Direct-axis synchronous reactance	%	238	199,3	214,7	204,4	214,8	195	146
Xd'	Direct-axis transient reactance	%	19,3	18,4	18	16,7	15,8	15,5	13,9
Xd''	Direct-axis subtransient reactance	%	12,2	10,4	9,79	8,76	8,42	7,9	7,47
Xq	Quadrature-axis synchronous reactance	%	96,2	91,9	92,8	96,2	125,4	121,1	101,3
Xq'	Quadrature-axis transient reactance	%	96,2	91,9	92,8	96,2	125,4	121,1	101,3
Xq''	Quadrature-axis subtransient reactance	%	24,2	23,5	22,7	20,7	19,2	13,9	12,3
X₂	Negative-sequence reactance	%	15,8	15,1	14,4	10,8	9,88	12,1	10,4
X₀	Zero sequence reactance	%	3,62	3,21	3,1	2,9	2,79	2,48	2,28
Kcc	Short circuit ratio		0,36	0,5	0,4	0,49	0,4	0,44	0,59
Td'	Transient time constant	sec	0,16	0,13	0,14	0,14	0,15	0,18	0,18
Td''	Subtransient time constant	sec	0,019	0,019	0,021	0,021	0,019	0,019	0,015
Tdo	Open circuit time constant	sec	2,55	2,7	2,8	2,9	3,1	3,1	3,7
Ta	Armature time constant	sec	0,017	0,03	0,031	0,04	0,04	0,052	0,071

Additional information - Class H / 480V

I₀	Excitation current at no load	A	0,8	0,6	0,7	0,7	0,65	0,7	0,6
I_c	Excitation current at full load	A	3,5	3,2	3,4	3,2	3,0	3,9	3,2
Overload long-term			1 hour in a 6 hours period 110% rated load						
Overload per 20 sec.		%	300,0						
Heat dissipation		W	19361	21305	22092	23148	24155	24386	25342
Telephone Interference (TIF)			<40	<40	<40	<40	<40	<40	<40
Waveform Distors.(THD) at full load (LL/LN)		%	2,6 / 2,6	2,7 / 2,8	2,4 / 2,5	2,5 / 2,5	2,2 / 2,4	2,1 / 2,1	2,2 / 2,2
Waveform Distors.(THD) at no load (LL/LN)		%	2,9 / 2,9	2,5 / 2,6	2,6 / 2,5	2,3 / 2,4	2,4 / 2,5	2,4 / 2,4	2,5 / 2,5

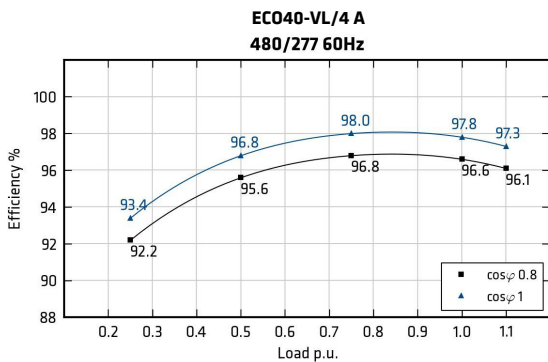
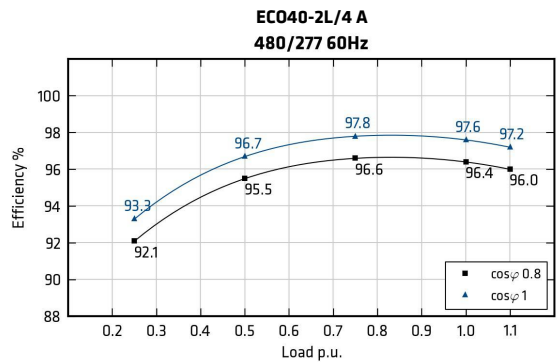
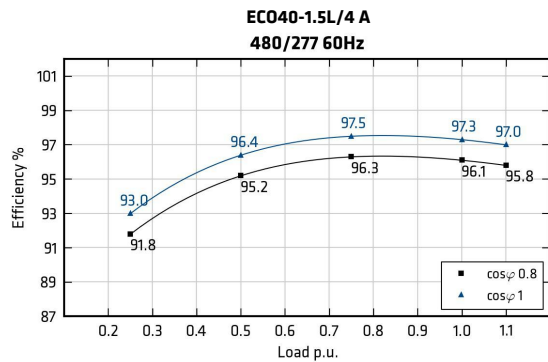
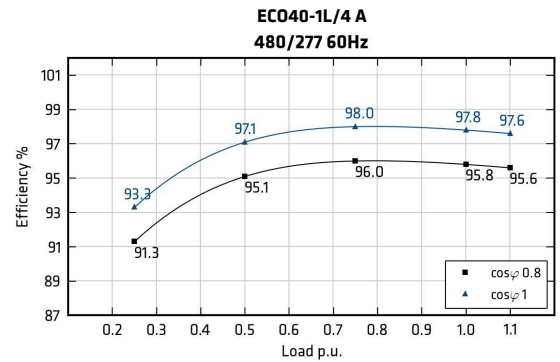
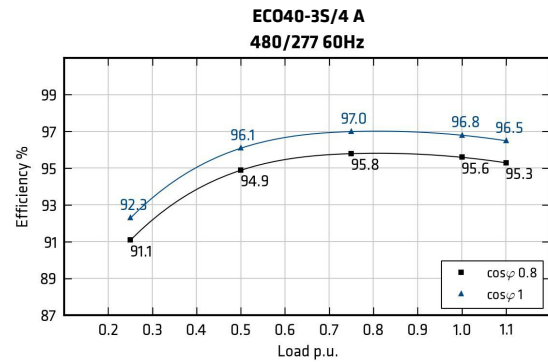
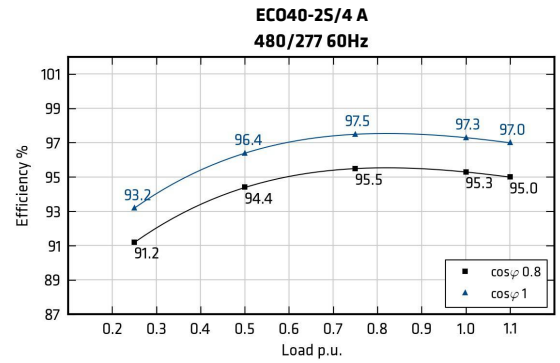
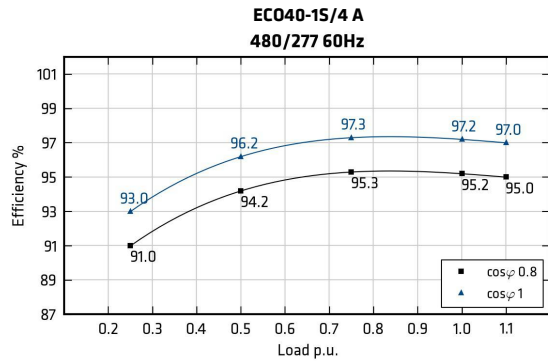
Efficiencies @ 50Hz

Models		380V 50Hz					400V 50Hz					415V 50Hz					440V 50Hz				
		0.25	0.5	0.75	1	1.1	0.25	0.5	0.75	1	1.1	0.25	0.5	0.75	1	1.1	0.25	0.5	0.75	1	1.1
ECO40-1S/4 A	%	89,1	93,3	94,2	94,1	93,9	89,3	93,5	94,4	94,2	93,9	89,2	93,3	94,1	94,0	93,7	89,0	93,1	93,9	93,8	93,5
ECO40-2S/4 A	%	89,4	93,5	94,3	94,1	93,9	89,5	93,8	94,6	94,4	94,2	89,4	93,7	94,5	94,2	93,9	89,2	93,5	94,1	93,9	93,7
ECO40-3S/4 A	%	90,2	93,7	94,6	94,4	94,3	90,3	93,9	94,8	94,6	94,4	90,1	93,7	94,7	94,5	94,3	89,8	93,4	94,4	94,2	94,0
ECO40-1L/4 A	%	90,5	94,0	94,9	94,7	94,5	90,5	94,1	95,0	94,8	94,5	90,3	94,0	94,9	94,6	94,2	90,0	93,8	94,5	94,4	94,2
ECO40-1.5L/4 A	%	90,5	94,1	94,9	94,7	94,5	90,6	94,2	95,1	94,9	94,7	90,6	94,1	94,9	94,6	94,3	90,4	94,0	94,6	94,4	94,2
ECO40-2L/4 A	%	91,4	94,1	95,0	94,8	94,6	91,5	94,3	95,2	95,0	94,8	91,3	94,2	95,0	94,7	94,4	90,8	93,8	94,4	94,5	94,4
ECO40-VL/4 A	%	91,5	94,2	95,1	94,8	94,5	91,6	94,4	95,3	95,1	94,8	91,4	94,2	95,1	94,9	94,6	90,8	93,7	94,6	94,4	94,2

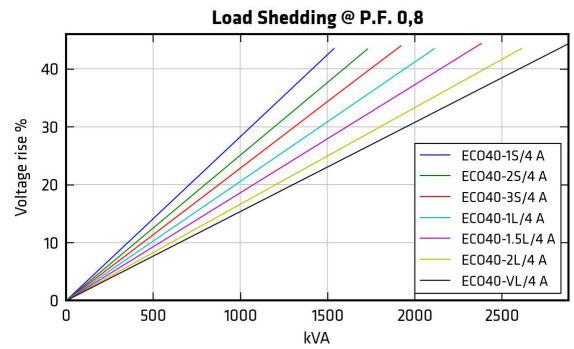
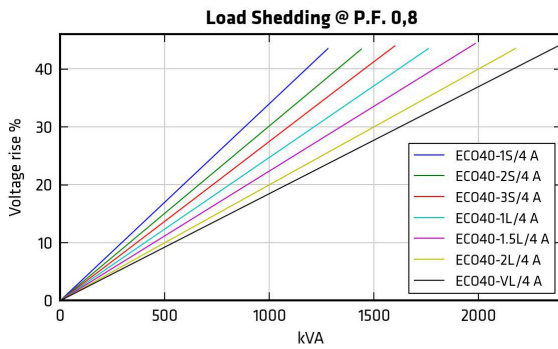
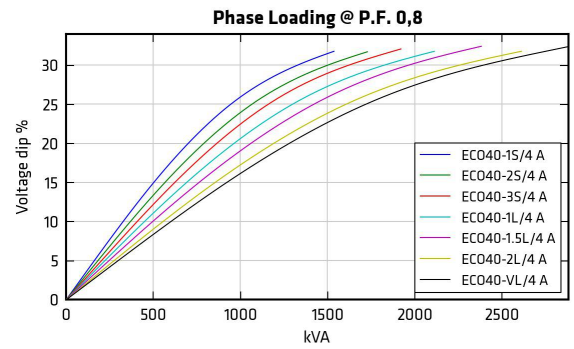
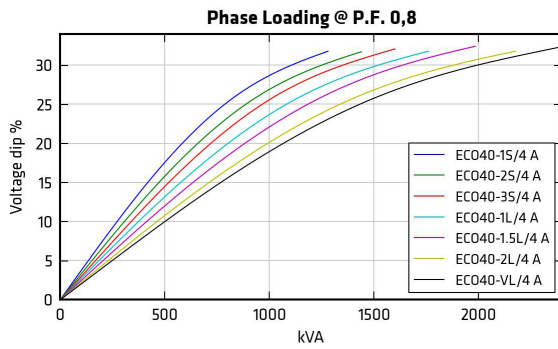
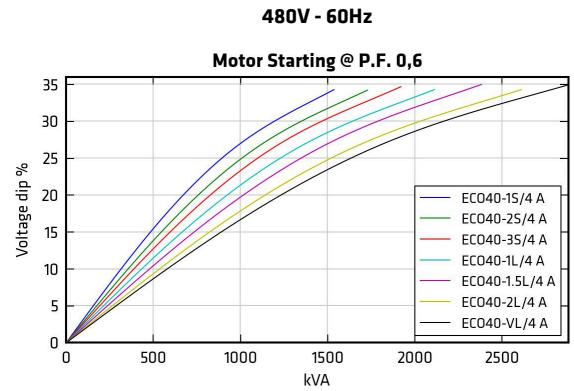
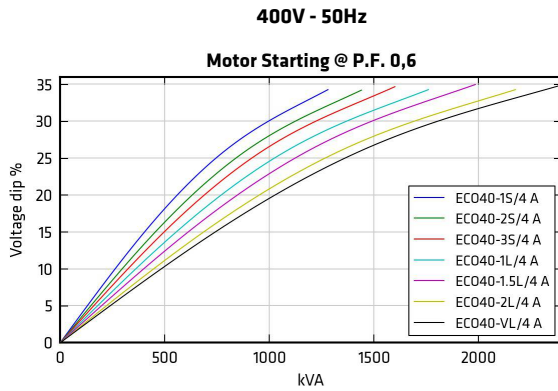


Efficiencies @ 60Hz

Models		415V 60Hz					440V 60Hz					460V 60Hz					480V 60Hz				
		0.25	0.5	0.75	1	1.1	0.25	0.5	0.75	1	1.1	0.25	0.5	0.75	1	1.1	0.25	0.5	0.75	1	1.1
ECO40-1S/4 A	%	90,4	93,3	94,5	94,4	94,2	90,6	93,8	94,9	94,8	94,7	90,8	94,0	95,2	95,1	94,9	91,0	94,2	95,3	95,2	95,0
ECO40-2S/4 A	%	90,6	93,5	94,6	94,5	94,3	90,9	94,0	95,1	95,0	94,8	91,1	94,2	95,3	95,2	94,9	91,2	94,4	95,5	95,3	95,0
ECO40-3S/4 A	%	90,5	93,9	95,2	95,0	94,7	90,7	94,5	95,5	95,3	95,1	90,9	94,7	95,7	95,5	95,3	91,1	94,9	95,8	95,6	95,3
ECO40-1L/4 A	%	91,0	94,7	95,5	95,3	95,1	91,1	94,8	95,7	95,6	-	91,1	94,9	95,8	95,7	95,6	91,3	95,1	96,0	95,8	95,6
ECO40-1.5L/4 A	%	91,6	94,8	95,6	95,4	95,0	91,6	94,9	96,0	95,8	95,5	91,7	95,0	96,1	95,9	95,6	91,8	95,2	96,3	96,1	95,8
ECO40-2L/4 A	%	91,4	94,8	95,8	95,7	95,3	91,5	95,0	96,1	96,0	95,7	91,7	95,2	96,4	96,2	95,9	92,1	95,5	96,6	96,4	96,0
ECO40-VL/4 A	%	91,4	94,8	95,9	95,8	95,4	91,7	95,1	96,3	96,1	95,8	92,0	95,4	96,7	96,5	96,2	92,2	95,6	96,8	96,6	96,1



Transients voltage



In order to scale transient curves as a function of a power factor or voltage if not indicated, please proceed as follows:

Power Factor coefficient corrector (PFCC), to be used on power factor 0.6 curves:

$$PFCC = \sin(\text{ARCCos}(PF_{\text{new}})) / 0.8$$

Example. The PFCC at power factor 0.3 is 1.192 [$PFCC = \sin(\text{ARCCos}(0.3)) / 0.8$]. This means that the voltage fall at a given power at pf 0.3 is equivalent to the one that can be read on the pf 0.6 curve if the load is considered 1.192 times bigger (19% higher value.).

In this example, a 100 kVA load insertion at pf 0.3 is equivalent in voltage fall to a 119kVA load insertion at pf 0.6.

Voltage coefficient corrector (VCC):

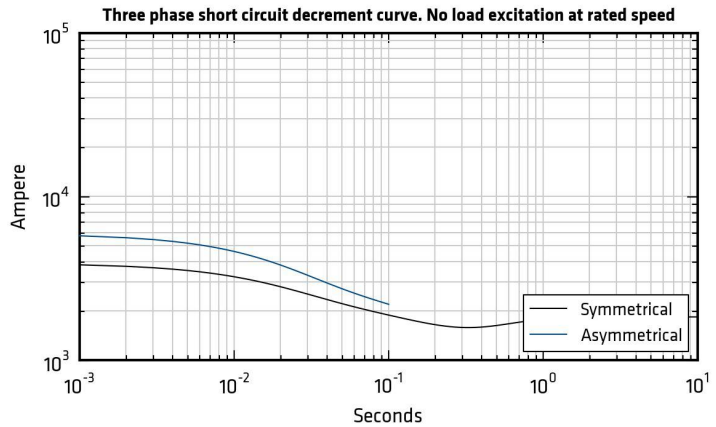
$$VCC = (400/V_{\text{new}})^2 \text{ if } 50 \text{ Hz}; VCC = (480/V_{\text{new}})^2 \text{ if } 60 \text{ Hz}$$

Example. VCC at 415V 60 Hz is 1.338 [$VCC = (480/415)^2$]. This means that the voltage fall at a given power at 415V is equivalent to the one that can be read on the power factor 0.6 curve if the load is considered 1.338 times bigger (33% higher value.).

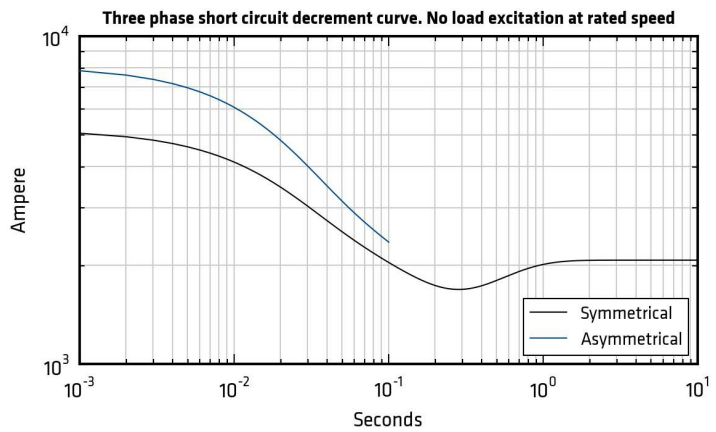
In this example, a 100 kVA load insertion at 415V is equivalent in voltage fall to a 133kVA load insertion at 480V.

50Hz Short circuit decrement curves - No load excitation at rated speed

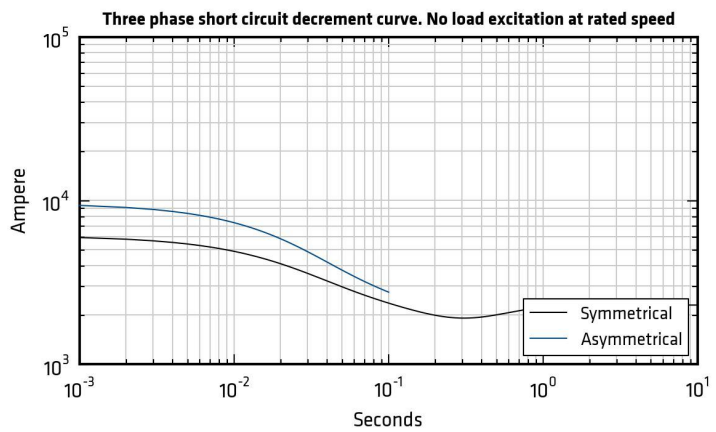
ECO40-1S/4 A



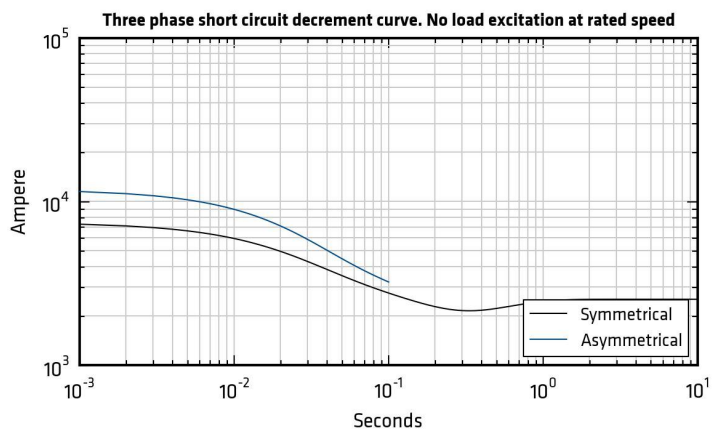
ECO40-2S/4 A



ECO40-3S/4 A



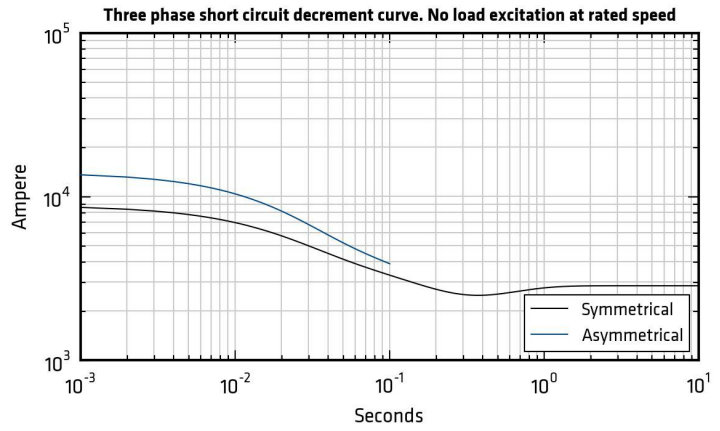
ECO40-1L/4 A



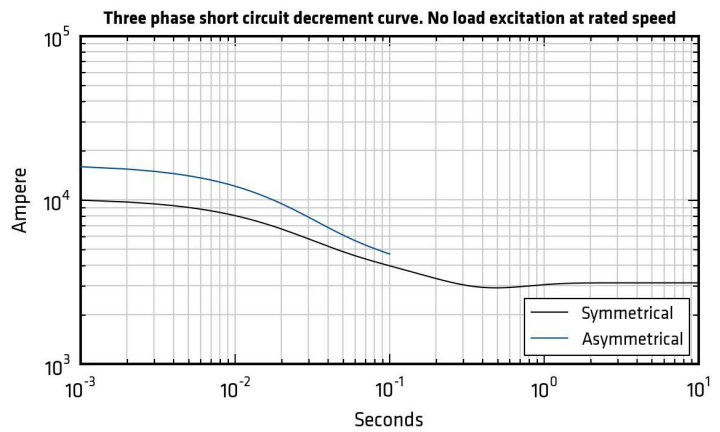
*Please refer to tables at page 6

50Hz Short circuit decrement curves - No load excitation at rated speed

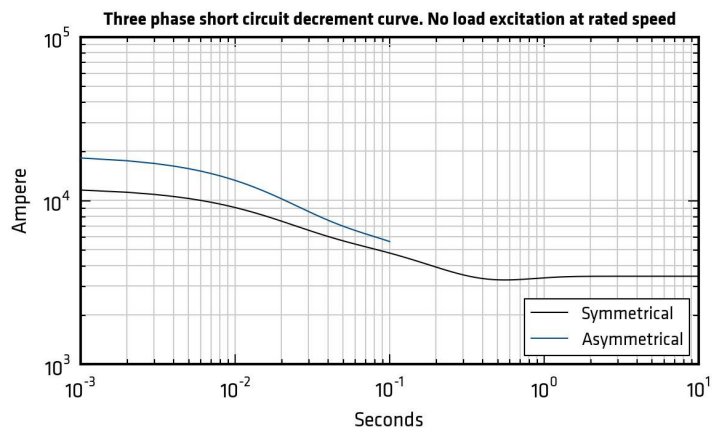
ECO40-1.5L/4 A



ECO40-2L/4 A



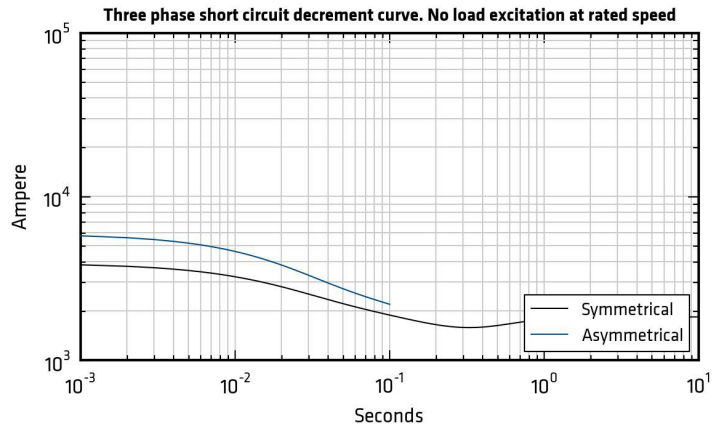
ECO40-VL/4 A



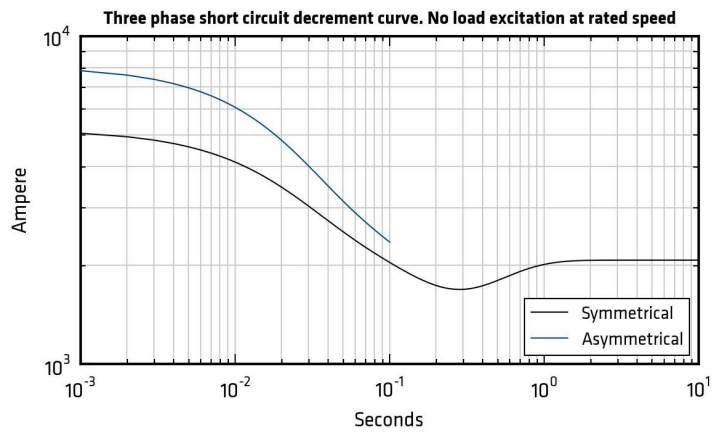
*Please refer to tables at page 6

60Hz Short circuit decrement curves - No load excitation at rated speed

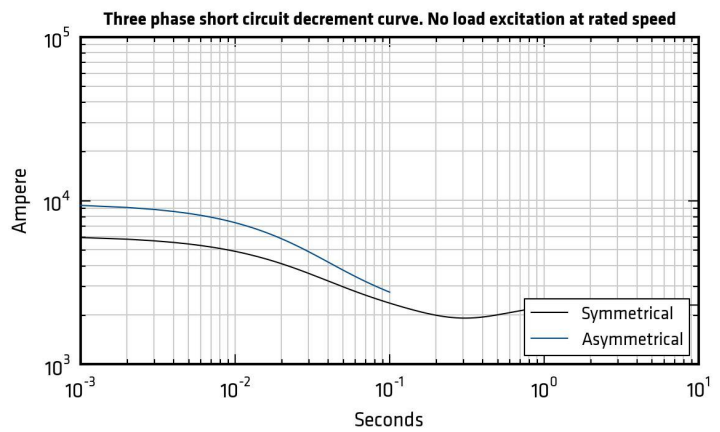
ECO40-1S/4 A



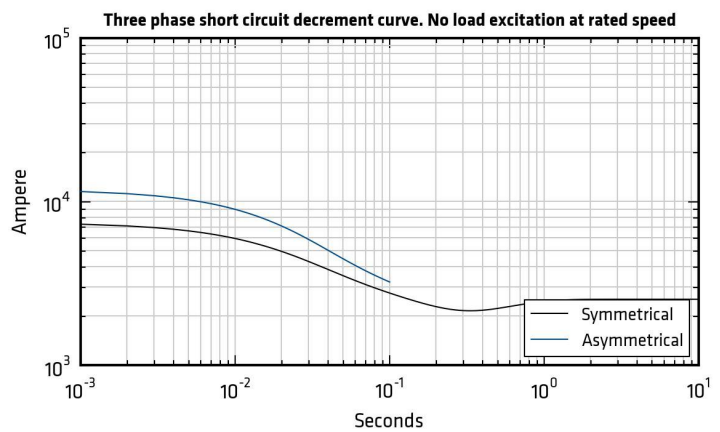
ECO40-2S/4 A



ECO40-3S/4 A



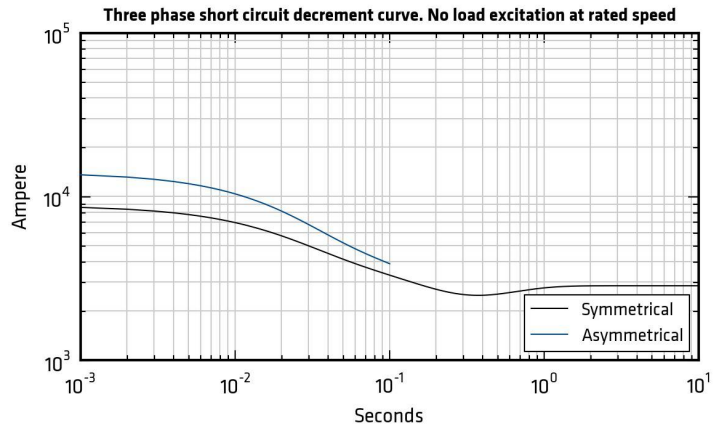
ECO40-1L/4 A



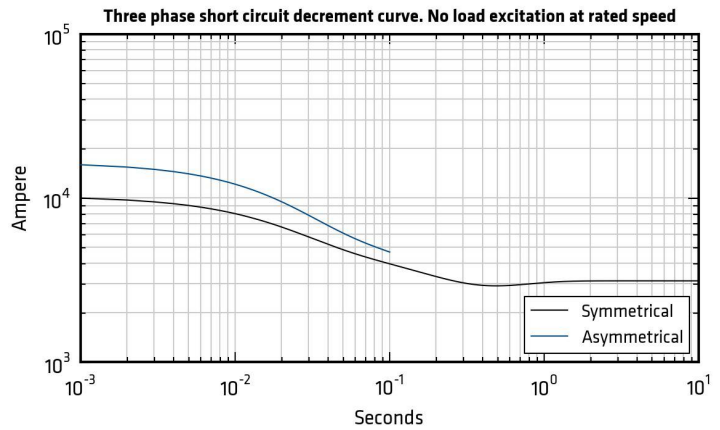
*Please refer to tables at page 6

60Hz Short circuit decrement curves - No load excitation at rated speed

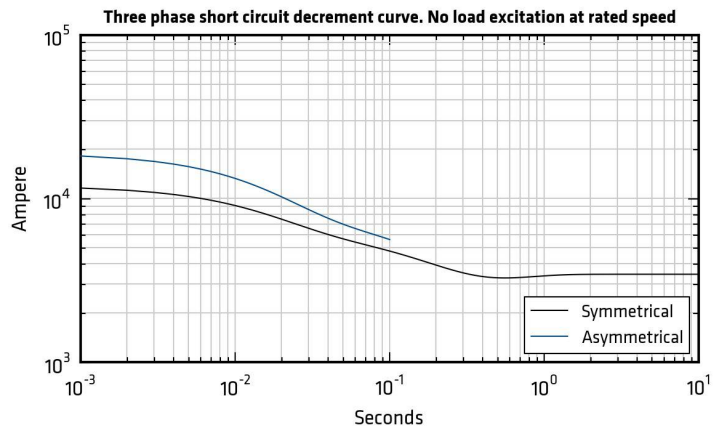
ECO40-1.5L/4 A



ECO40-2L/4 A



ECO40-VL/4 A

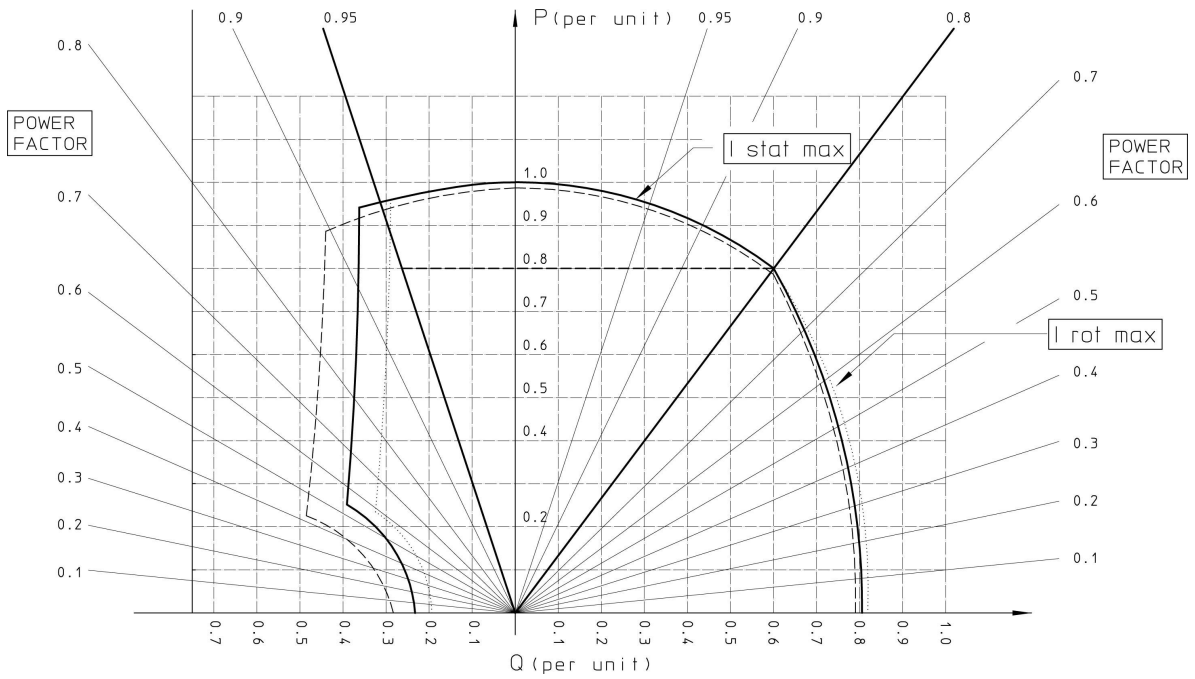


*Please refer to tables at page 6

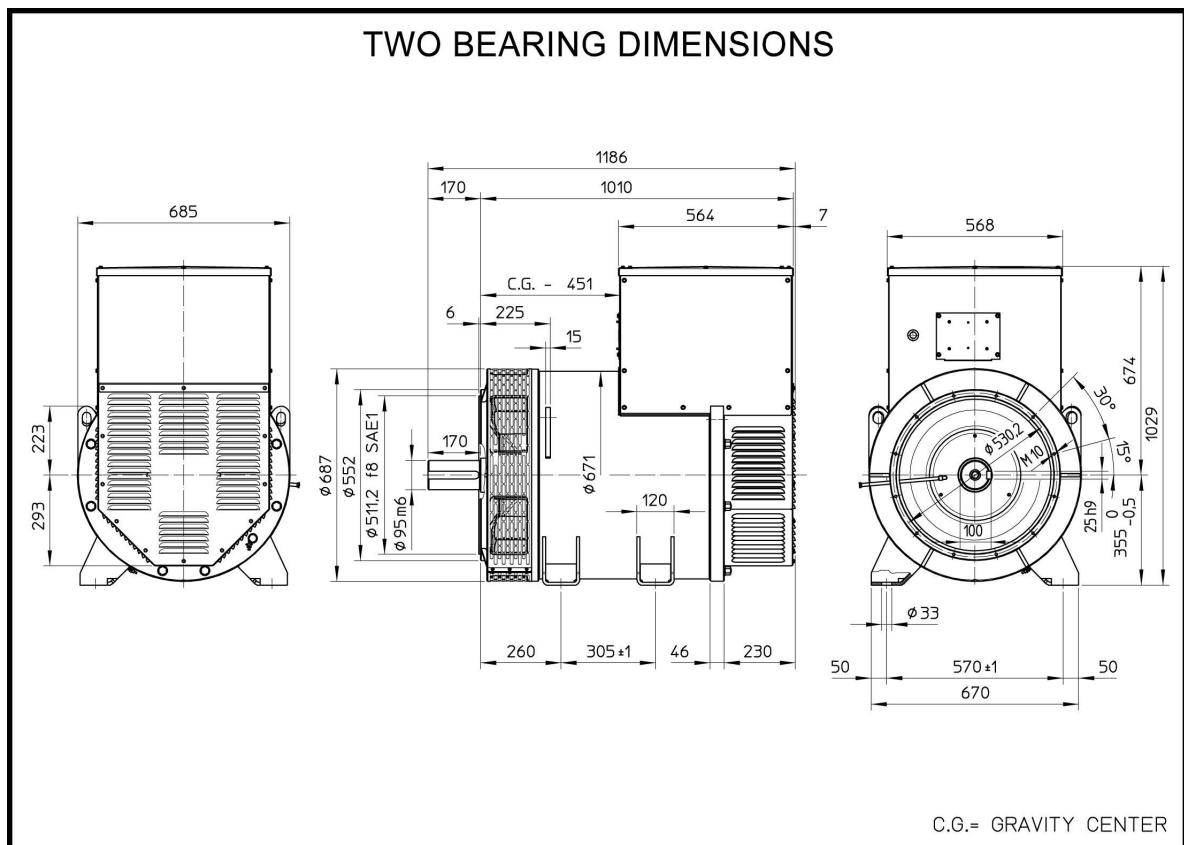
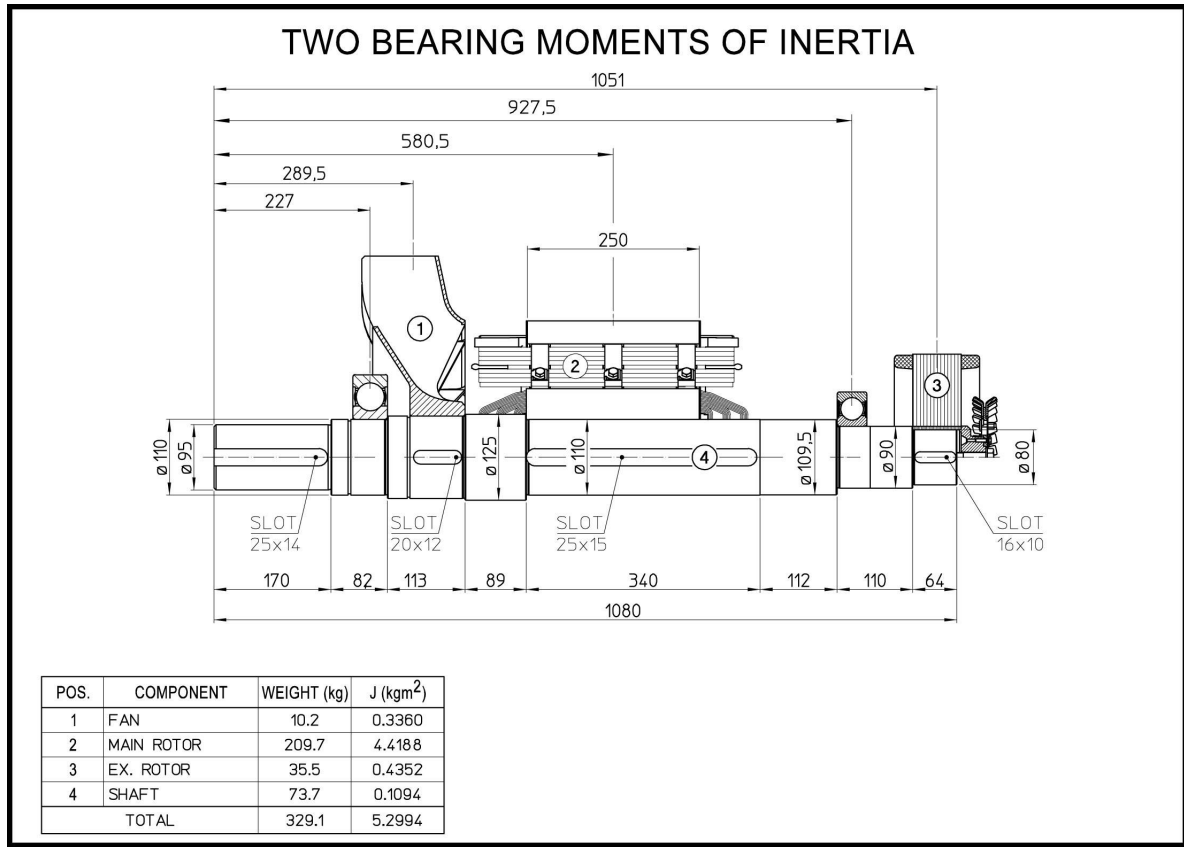
Additional Characteristics

Data	ECO40-1S/4 A		ECO40-2S/4 A		ECO40-3S/4 A		ECO40-1L/4 A		ECO40-1.5L/4 A		ECO40-2L/4 A		ECO40-VL/4 A		
	50Hz	60Hz	50Hz	60Hz	50Hz	60Hz	50Hz	60Hz	50Hz	60Hz	50Hz	60Hz	50Hz	60Hz	
Damper cage	Copper														
Stator Winding Resistance (20°C)	Ω	0,018		0,013		0,011		0,01		0,009		0,013		0,008	
Rotor Winding Resistance (20°C)	Ω	4,488		4,881		5,176		6,025		1,376		1,5		1,592	
Stator Exciter Resistance (20°C)	Ω	8,85		8,85		8,85		8,85		8,85		8,85		8,85	
Rotor Exciter Resistance (20°C)	Ω	0,317		0,317		0,317		0,317		0,05		0,05		0,05	
Weight	Kg	1040,0		1118,0		1171,0		1324,0		1380,0		1586,0		1693,0	
Unbalanced Magnetic pull	kN/mm	5,0		5,9		6,5		6,1		6,1		6,8		6,9	
Cooling air requirement	m3/min	54,0	64,8	54,0	64,8	54,0	64,8	54,0	64,8	54,0	64,8	54,0	64,8	54,0	64,8
Noise Level at 1m/7m	dB(A)	94/82	98/88	94/82	98/88	94/82	98/88	94/82	98/88	94/82	98/88	94/82	98/88	94/82	98/88

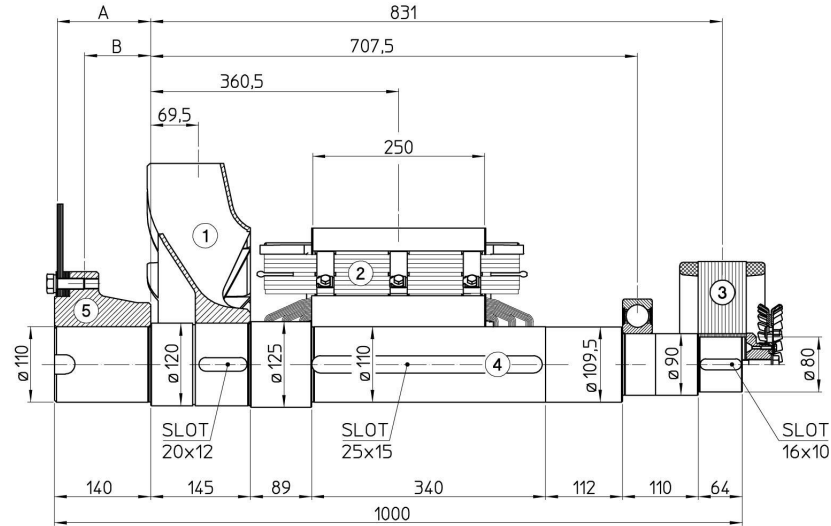
PQ Diagram



ECO40-1S/4 A



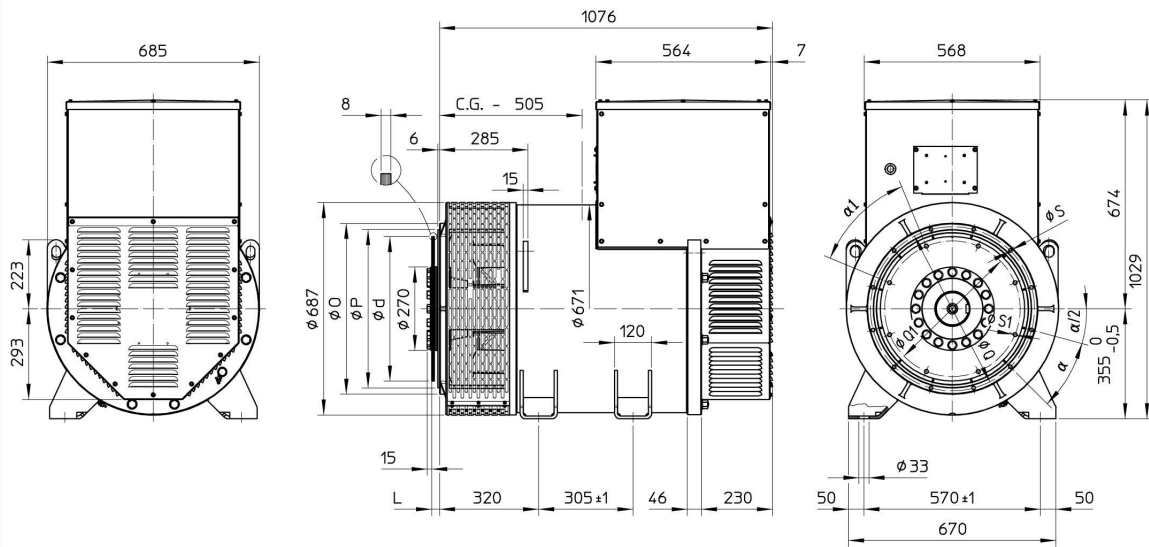
SINGLE BEARING MOMENTS OF INERTIA



POS.	COMPONENT	WEIGHT (kg)	J (kgm ²)
1	FAN	10.2	0.3360
2	MAIN ROTOR	209.7	4.4188
3	EX. ROTOR	35.5	0.4352
4	SHAFT	72.1	0.1116
TOTAL		327.5	5.3016

SAE N°	SHAFTS COUPLING FLEX PLATE		WEIGHT kg	J kgm ²
	A	B		
14	135.7	96	39.6	0.556
18	125.7	95.5	43	0.890

SINGLE BEARING DIMENSIONS

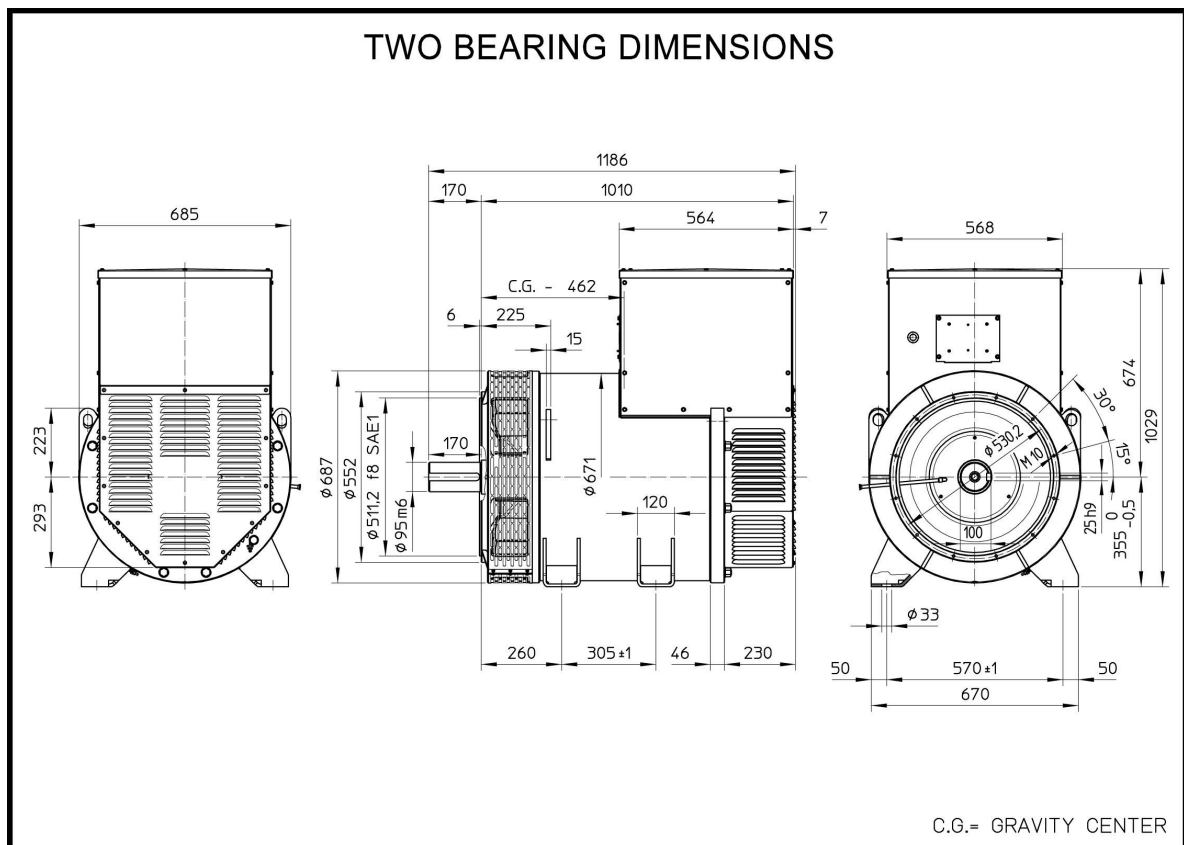
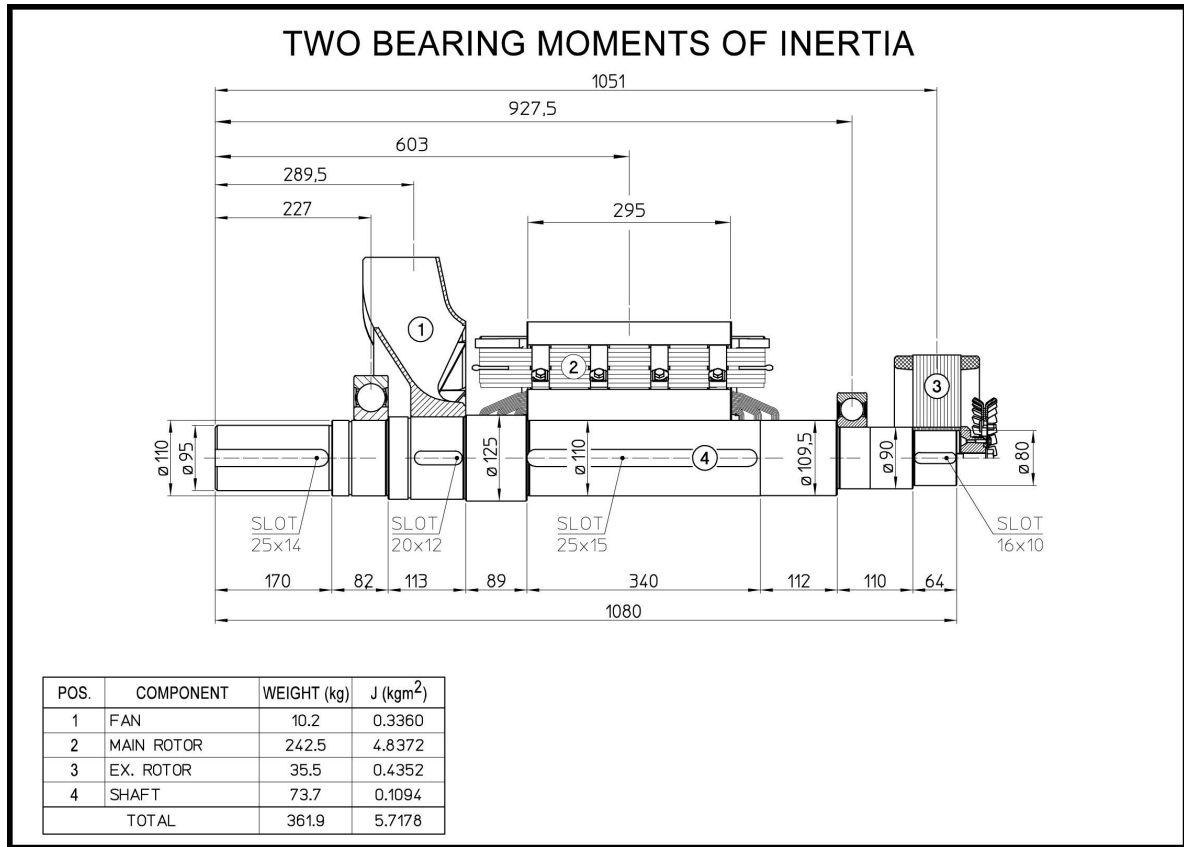


SAE N.	FLANGIA / LANGE BRIDE / FLANSCH				
	O	P	Q	S	α
1	552	511.2	530.2	11	30°
1/2	648	584.2	619.1	14	30°
0	711	647.7	679.5	14	22.5°
00	883	787.4	850.9	14	22.5°

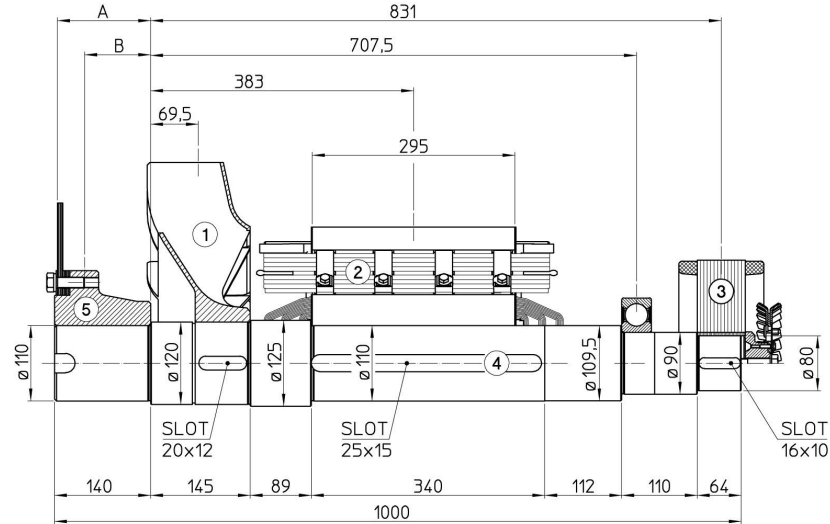
SAE N.	GIUNTI A DISCHI / DISC COUPLING DISCQUE DE MONOPALIER / SCHEIBENKUPPLUNG				
	d	L	Q1	S1	α1
14	466.72	25.4	438.15	13.5	45°
18	571.5	15.7	542.92	16.5	60°

C.G.= GRAVITY CENTER

ECO40-2S/4 A



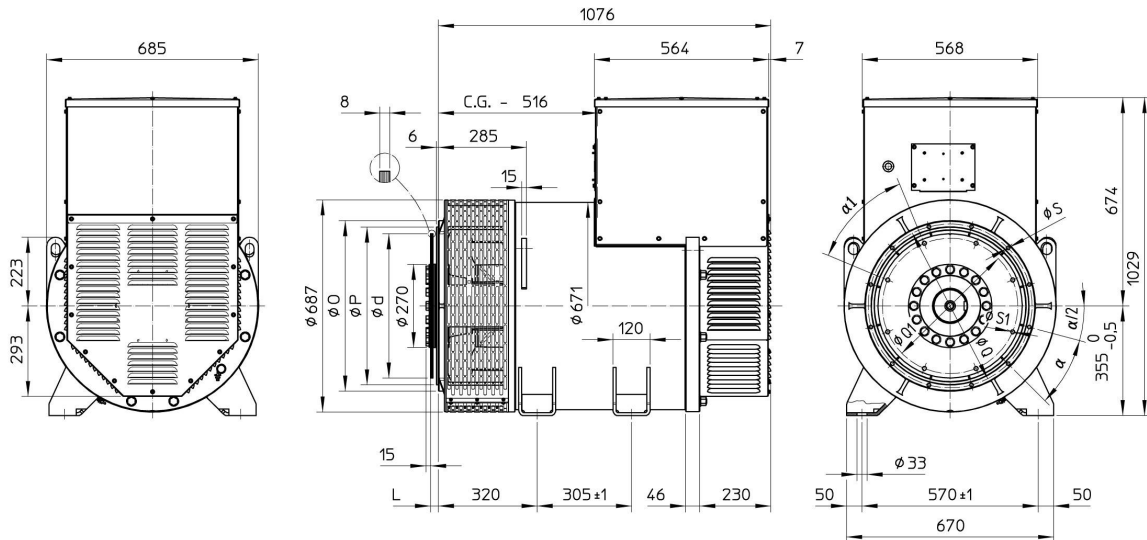
SINGLE BEARING MOMENTS OF INERTIA



POS.	COMPONENT	WEIGHT (kg)	J (kgm ²)
1	FAN	10.2	0.3360
2	MAIN ROTOR	242.5	4.8372
3	EX. ROTOR	35.5	0.4352
4	SHAFT	72.1	0.1116
TOTAL		360.3	5.7200

SAE N°	SHAFTS COUPLING FLEX PLATE		WEIGHT kg	J kgm ²
	A	B		
14	135.7	96	39.6	0.556
18	125.7	95.5	43	0.890

SINGLE BEARING DIMENSIONS

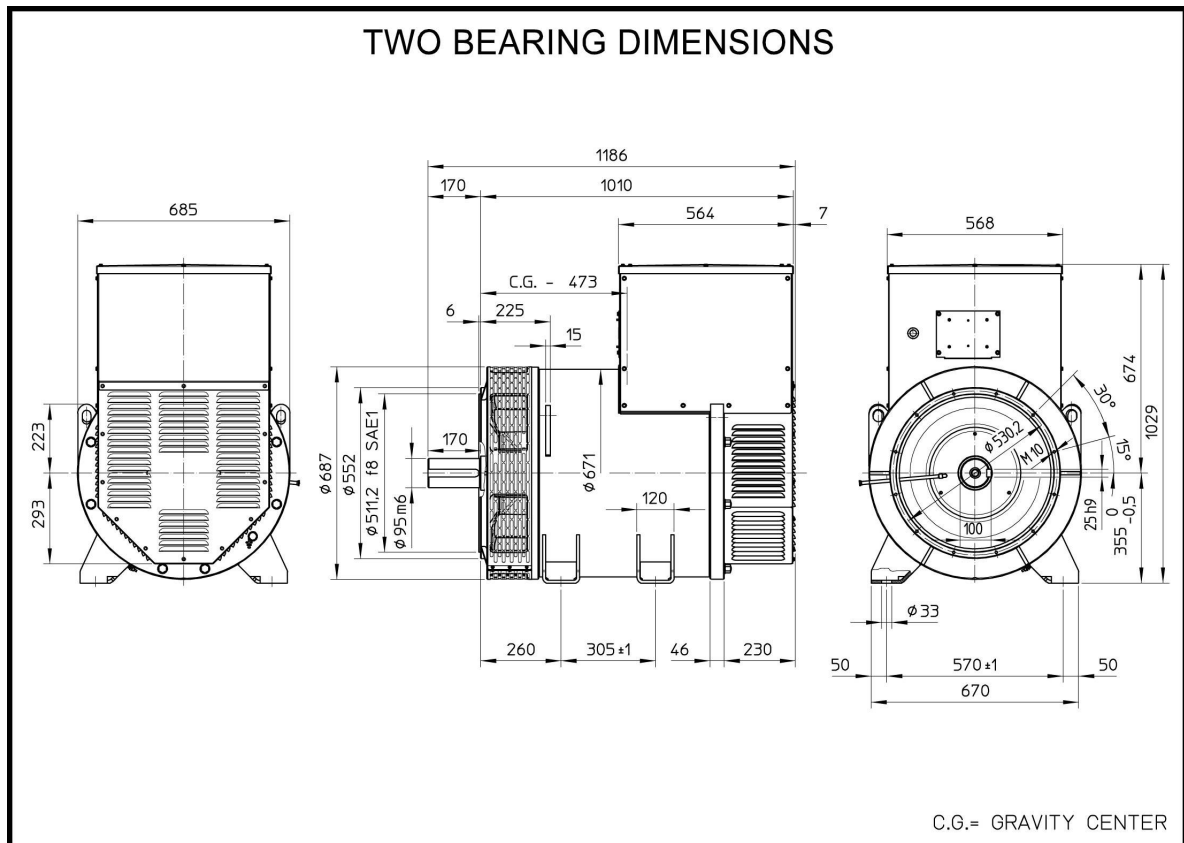
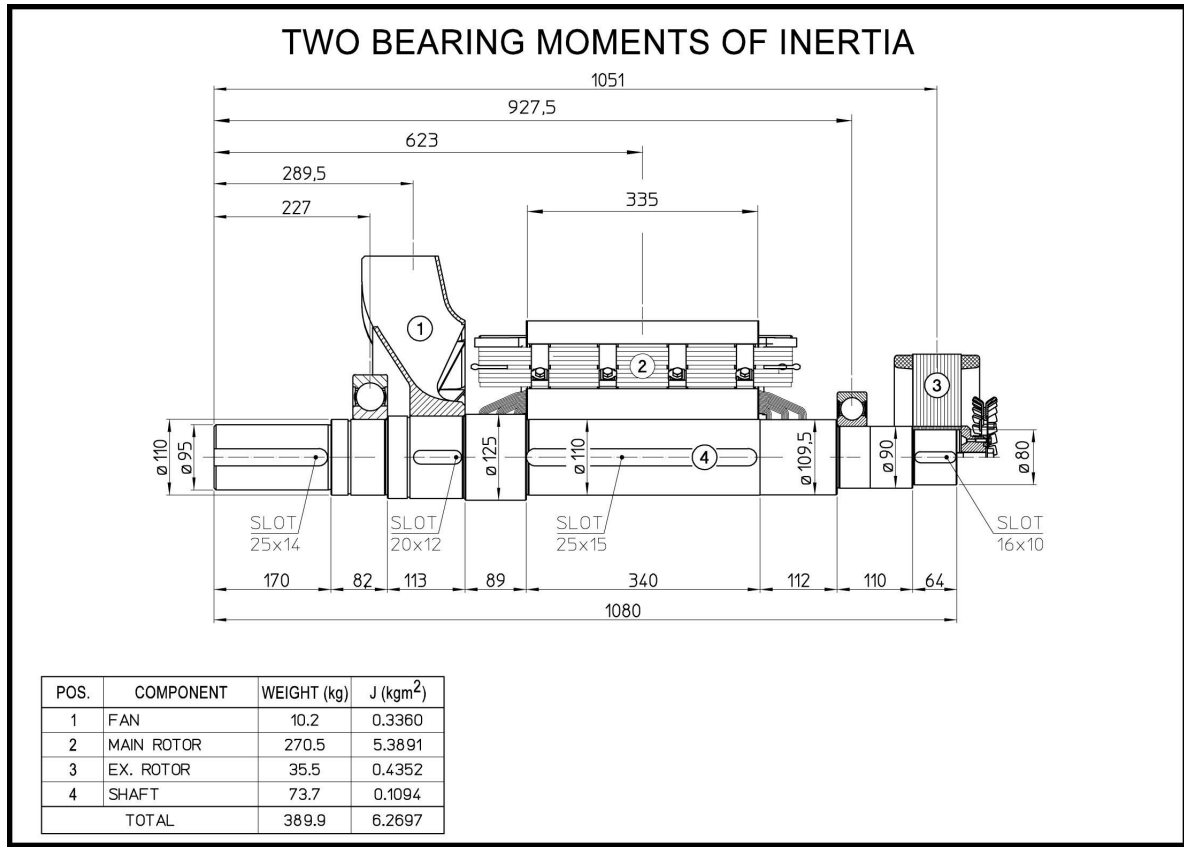


SAE N.	FLANGIA / LANGE BRIDE / FLANSCH				
	O	P	Q	S	α
1	552	511.2	530.2	11	30°
1/2	648	584.2	619.1	14	30°
0	711	647.7	679.5	14	22.5°
00	883	787.4	850.9	14	22.5°

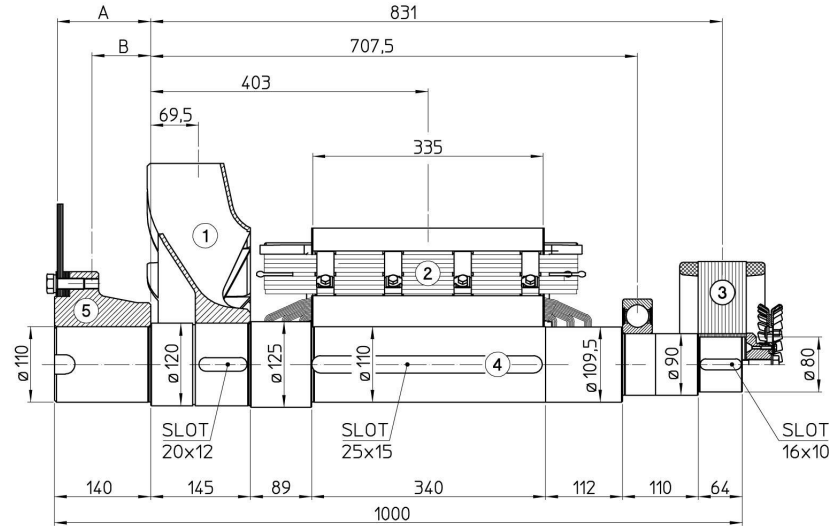
SAE N.	GIUNTI A DISCHI / DISC COUPLING DISCQUE DE MONOPALIER / SCHEIBENKUPPLUNG				
	d	L	Q1	S1	α1
14	466.72	25.4	438.15	13.5	45°
18	571.5	15.7	542.92	16.5	60°

C.G.= GRAVITY CENTER

ECO40-3S/4 A



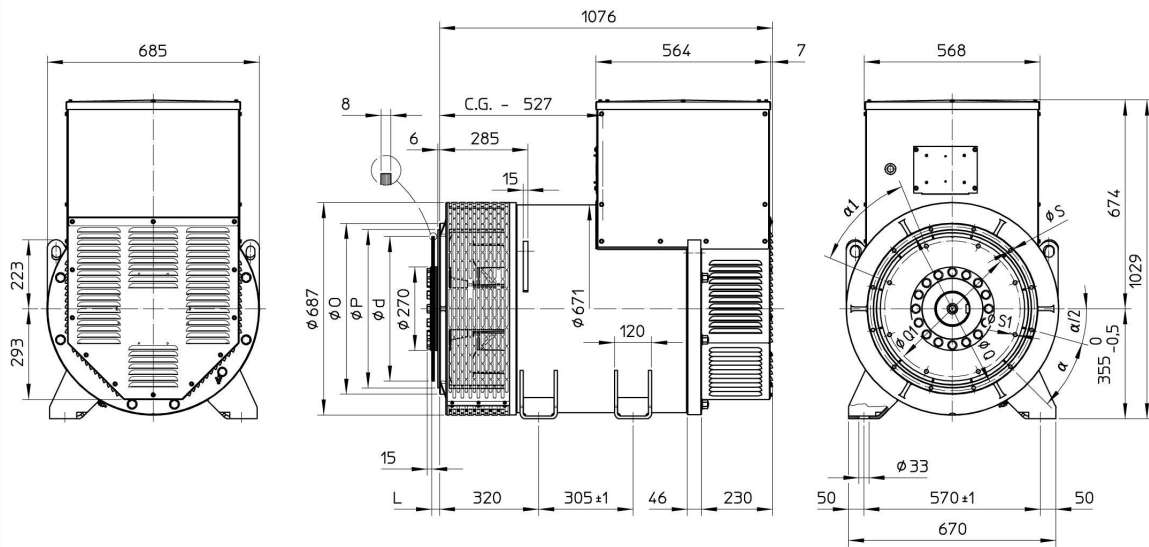
SINGLE BEARING MOMENTS OF INERTIA



POS.	COMPONENT	WEIGHT (kg)	J (kgm ²)
1	FAN	10.2	0.3360
2	MAIN ROTOR	270.5	5.3891
3	EX. ROTOR	35.5	0.4352
4	SHAFT	72.1	0.1116
TOTAL		388.3	6.2719

SAE N°	A	B	WEIGHT kg	J kgm ²
5	SHAFTS COUPLING FLEX PLATE			
14	135.7	96	39.6	0.556
18	125.7	95.5	43	0.890

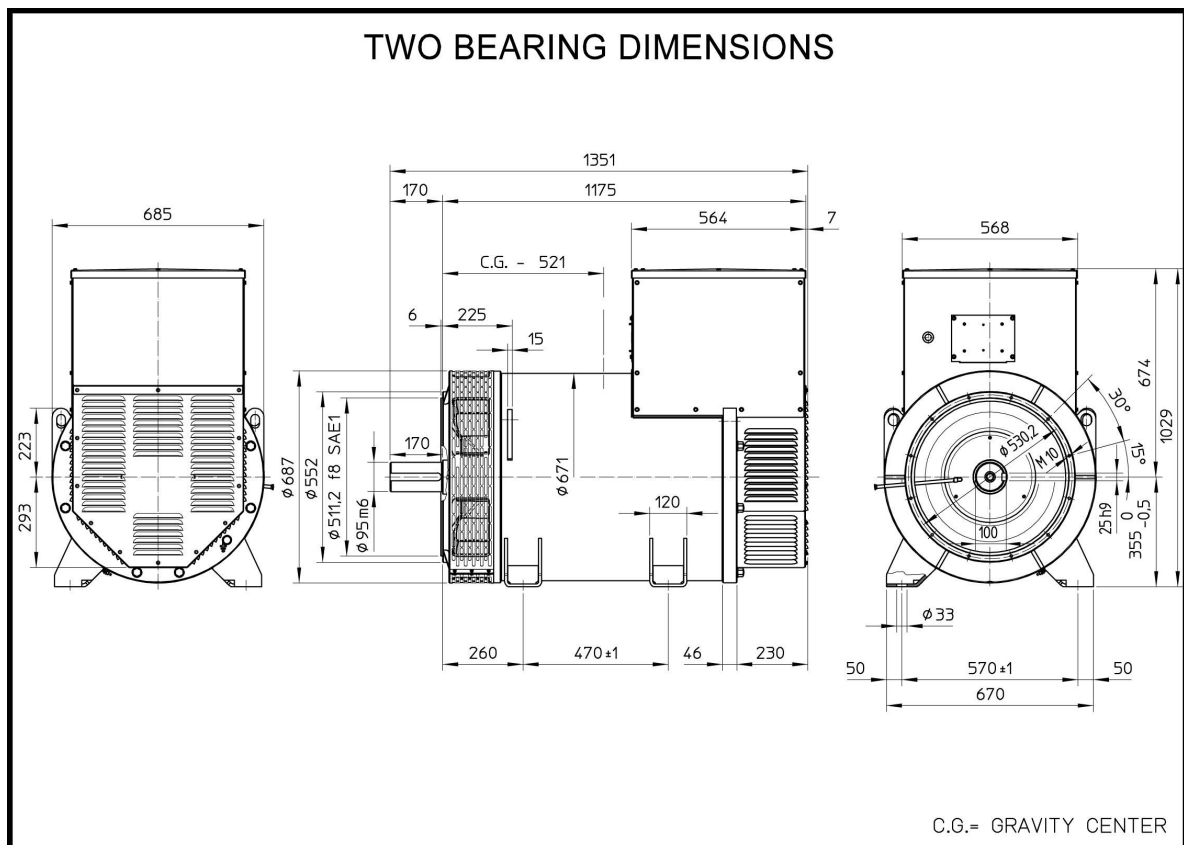
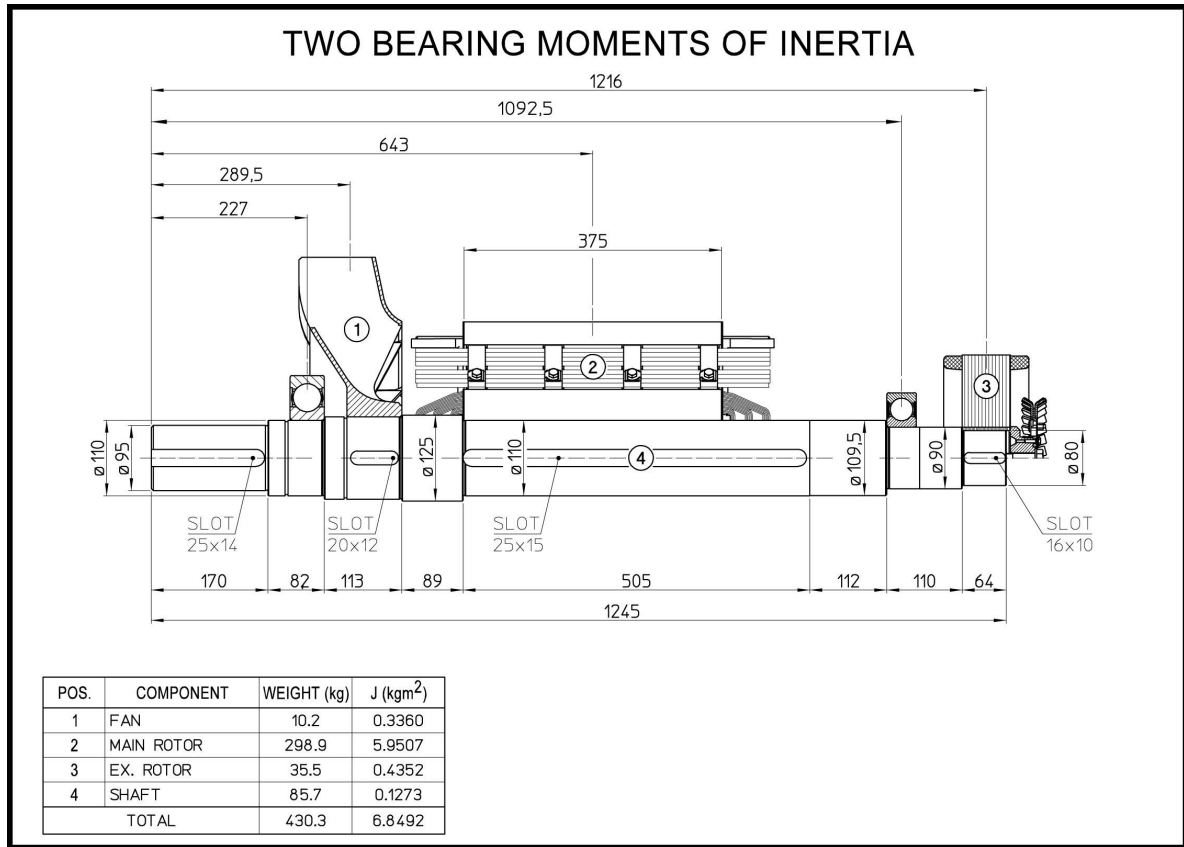
SINGLE BEARING DIMENSIONS



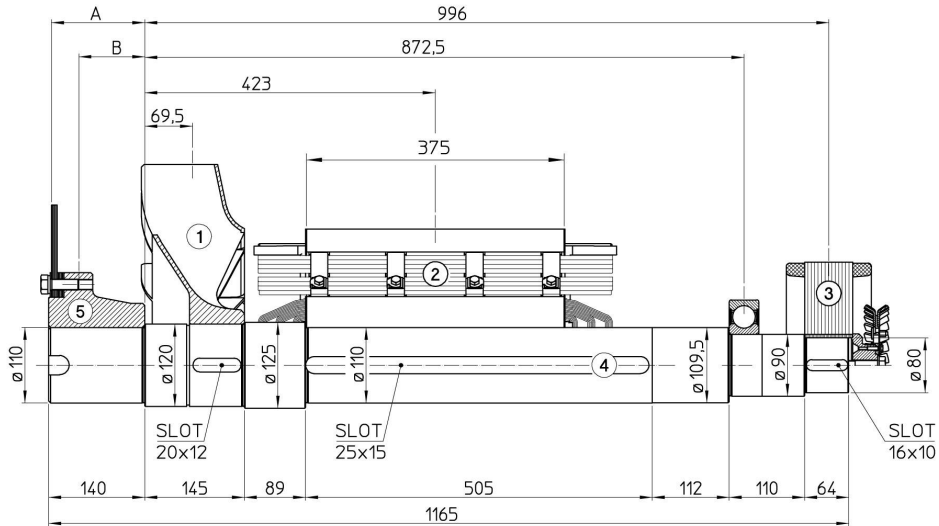
SAE N.	FLANGIA / LANGE BRIDE / FLANSCH				
	O	P	Q	S	α
1	552	511.2	530.2	11	30°
1/2	648	584.2	619.1	14	30°
0	711	647.7	679.5	14	22.5°
00	883	787.4	850.9	14	22.5°

SAE N.	GIUNTI A DISCHI / DISC COUPLING DISCQUE DE MONOPALIER / SCHEIBENKUPPLUNG				
	d	L	Q1	S1	α1
14	466.72	25.4	438.15	13.5	45°
18	571.5	15.7	542.92	16.5	60°

C.G.= GRAVITY CENTER



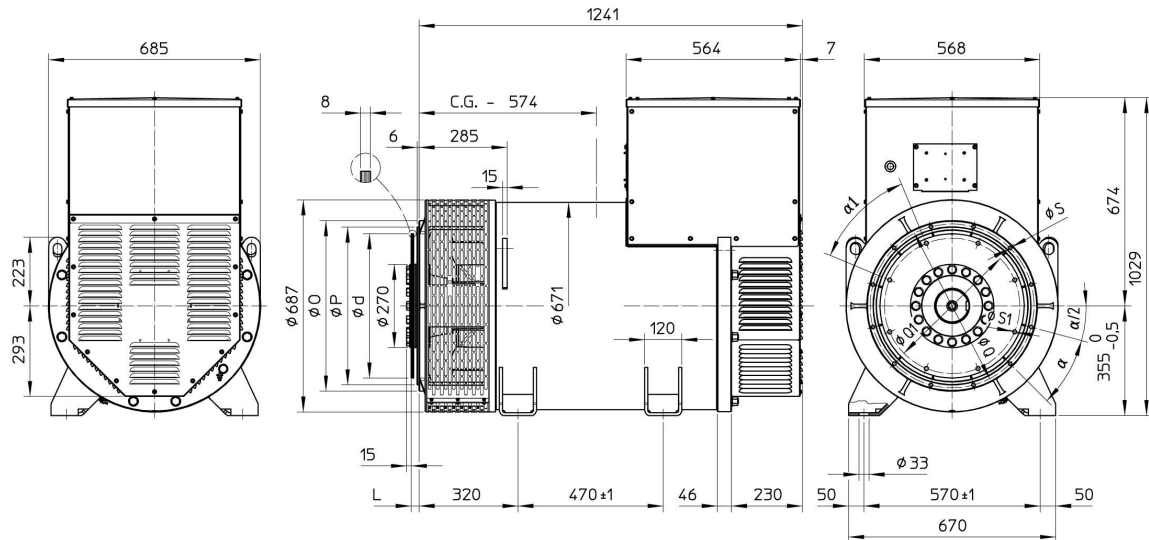
SINGLE BEARING MOMENTS OF INERTIA



POS.	COMPONENT	WEIGHT (kg)	J (kgm ²)
1	FAN	10.2	0.3360
2	MAIN ROTOR	298.9	5.9507
3	EX. ROTOR	35.5	0.4352
4	SHAFT	84.2	0.1296
TOTAL		428.8	6.8515

SAE N°	5 SHAFTS COUPLING FLEX PLATE			
	A	B	WEIGHT kg	J kgm ²
14	135.7	96	39.6	0.556
18	125.7	95.5	43	0.890

SINGLE BEARING DIMENSIONS

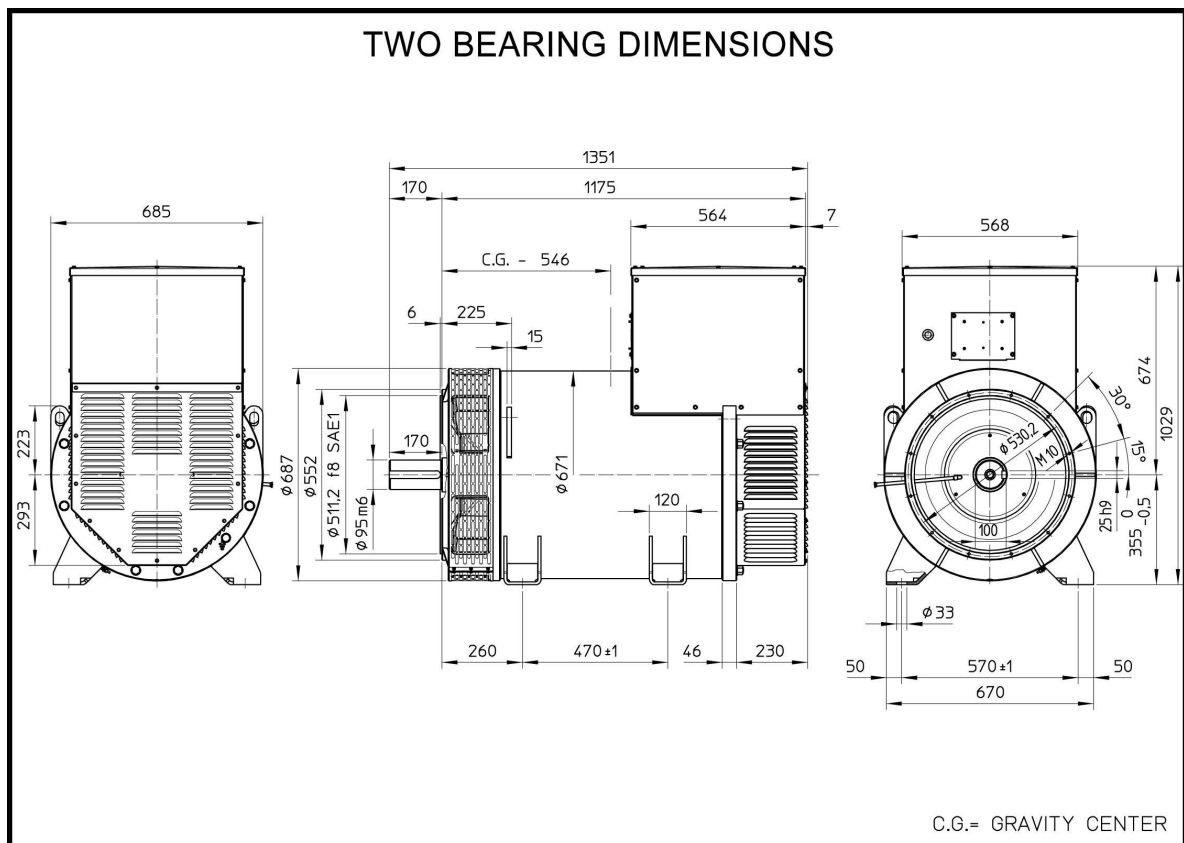
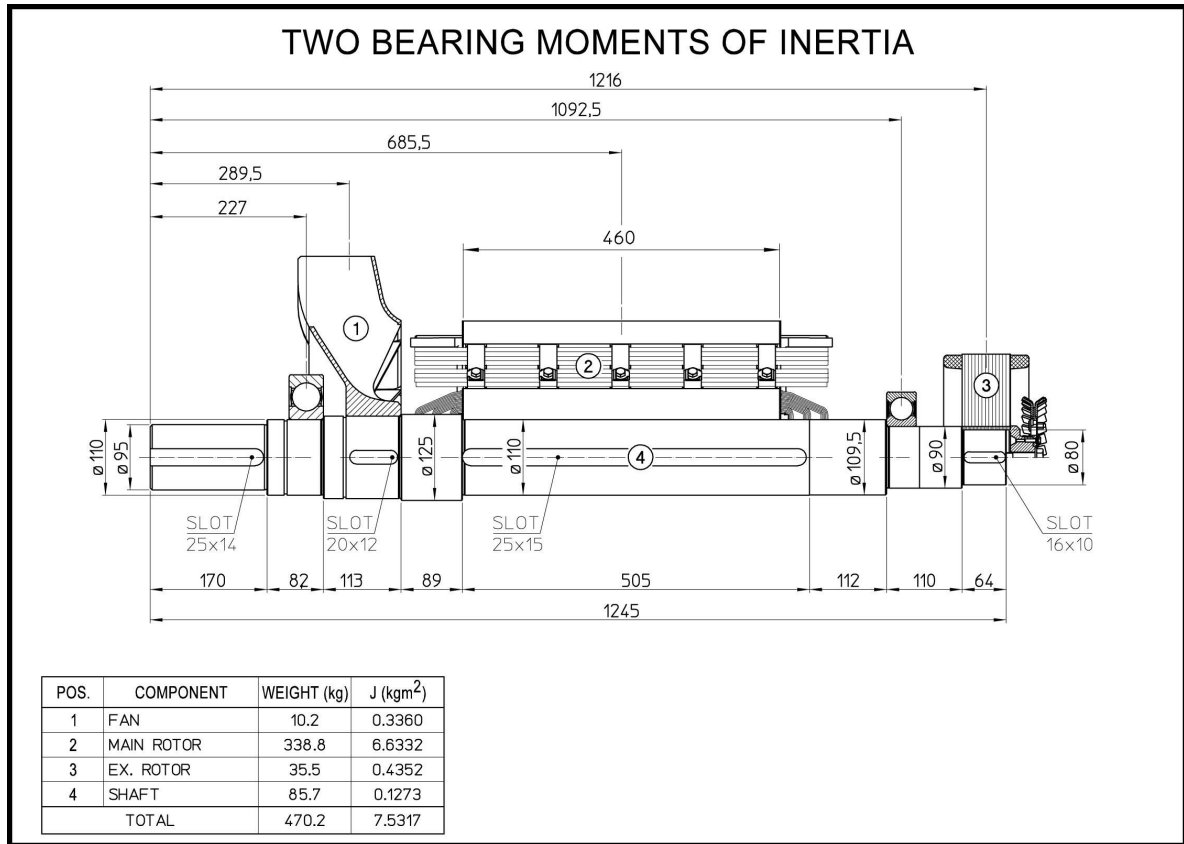


SAE N.	FLANGIA / LANGE BRIDE / FLANSCH				
	O	P	Q	S	α
1	552	511.2	530.2	11	30°
1/2	648	584.2	619.1	14	30°
0	711	647.7	679.5	14	22.5°
00	883	787.4	850.9	14	22.5°

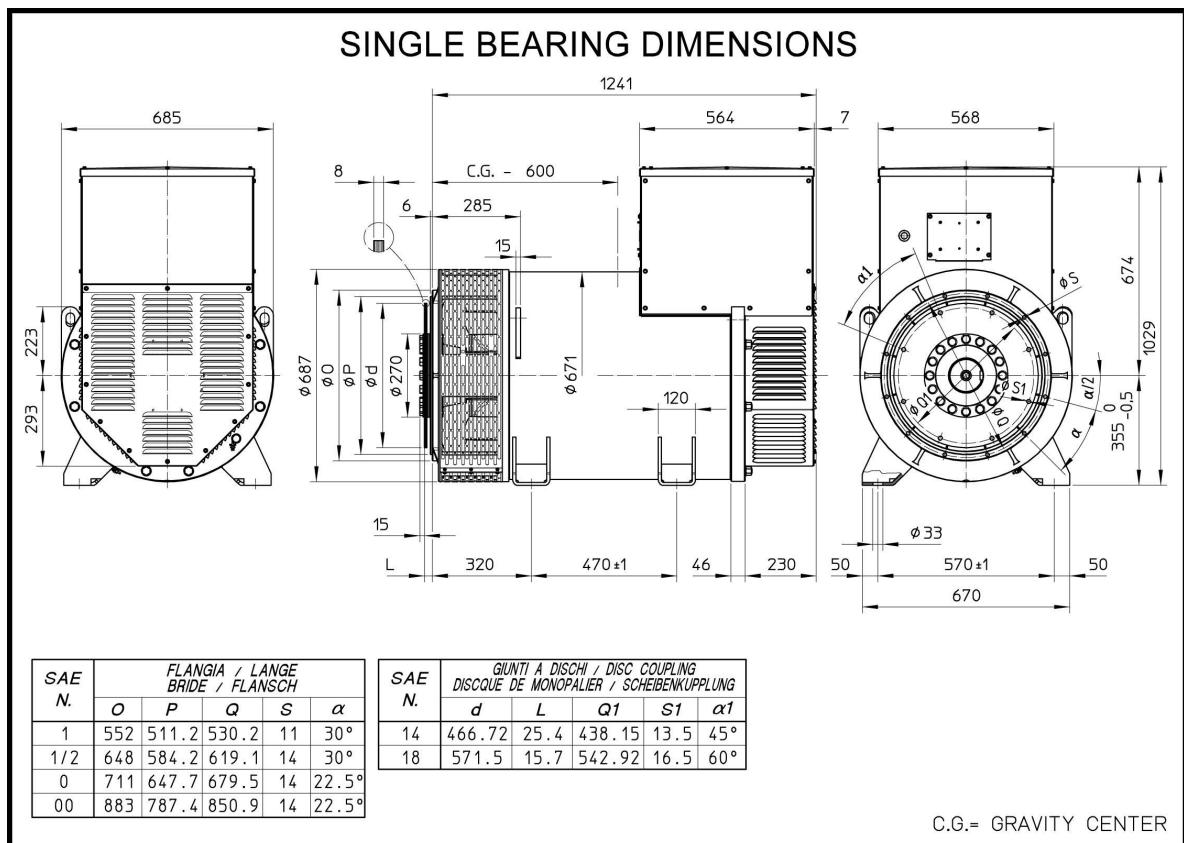
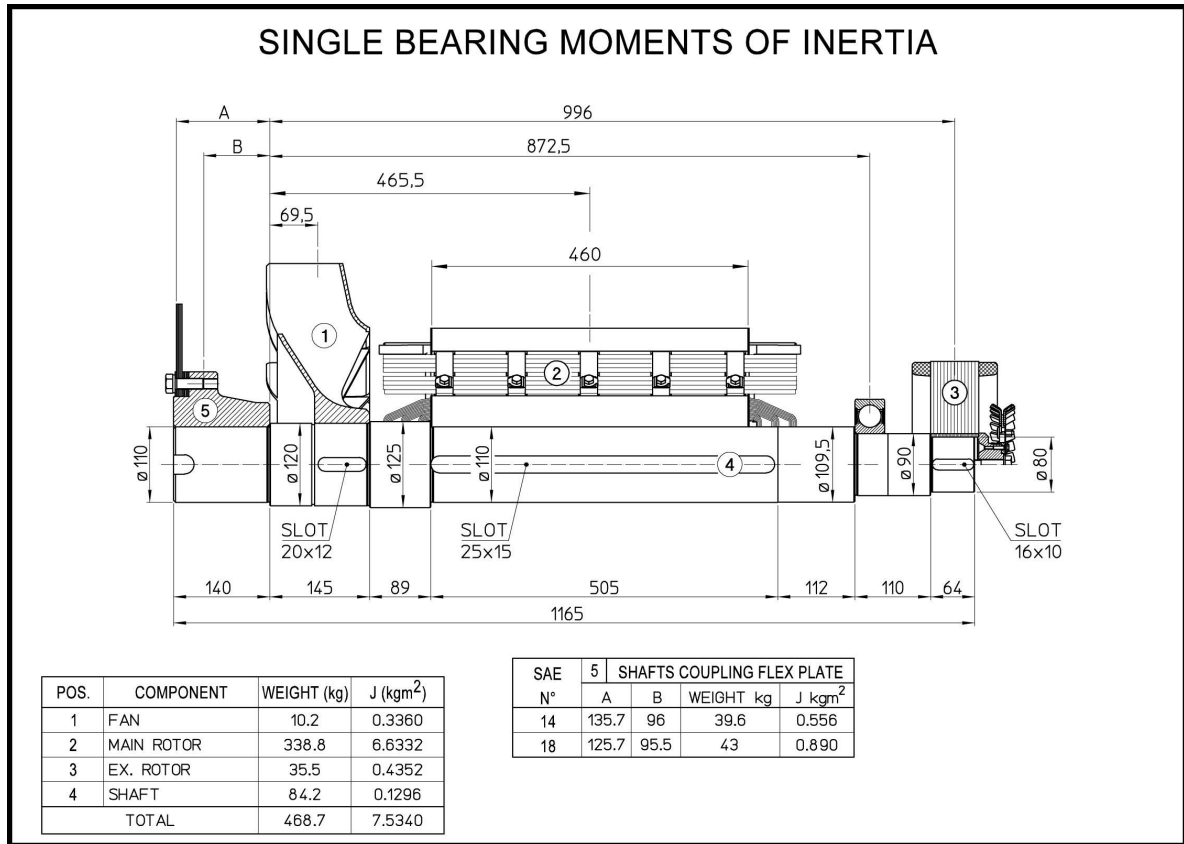
SAE N.	GIUNTI A DISCHI / DISC COUPLING DISCQUE DE MONOPALIER / SCHEIBENKUPPLUNG				
	d	L	Q1	S1	$\alpha1$
14	466.72	25.4	438.15	13.5	45°
18	571.5	15.7	542.92	16.5	60°

C.G.= GRAVITY CENTER

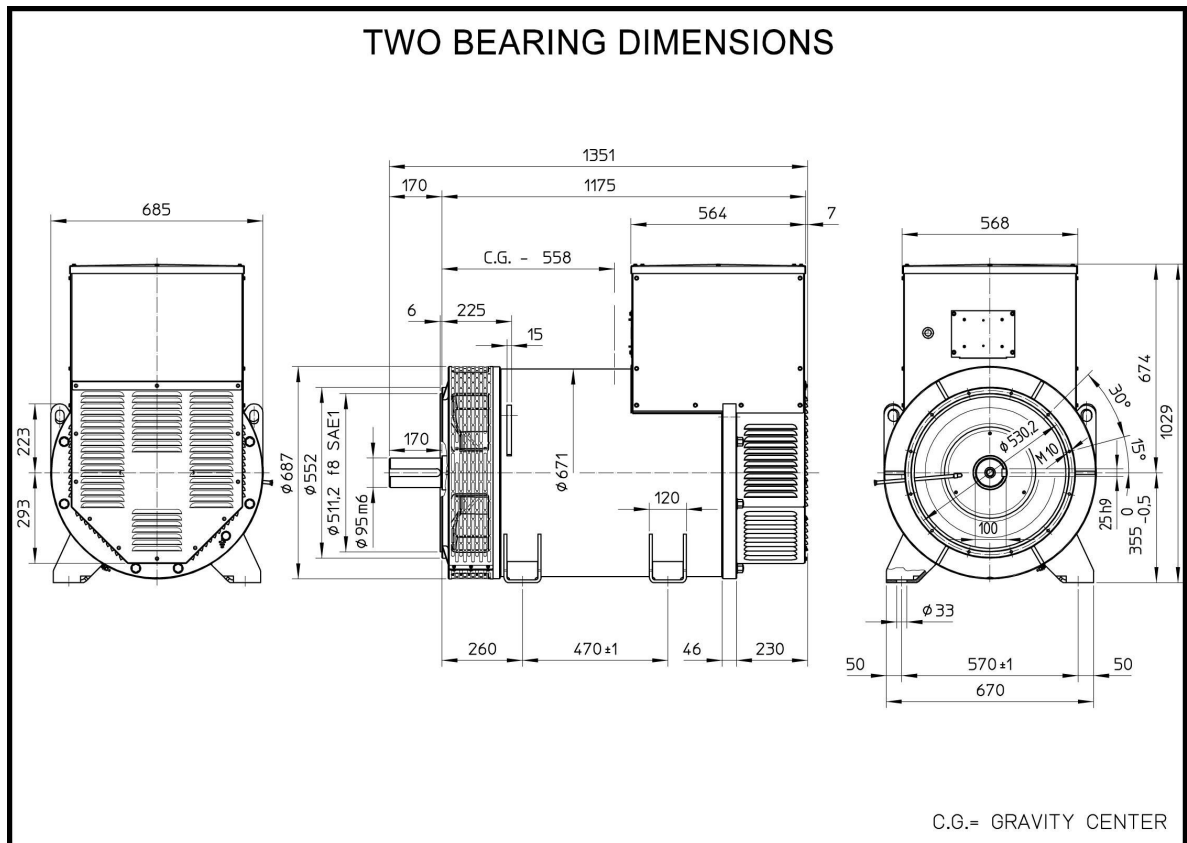
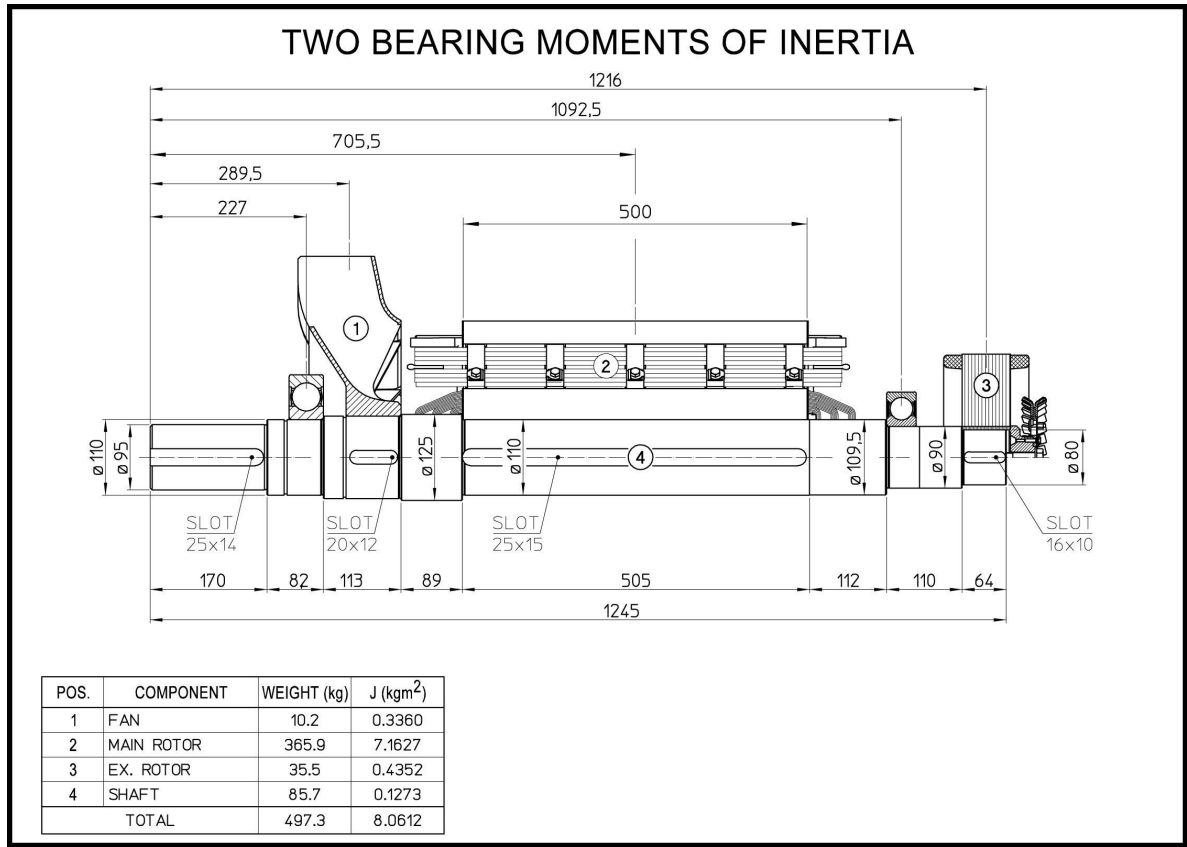
ECO40-1.5L/4 A



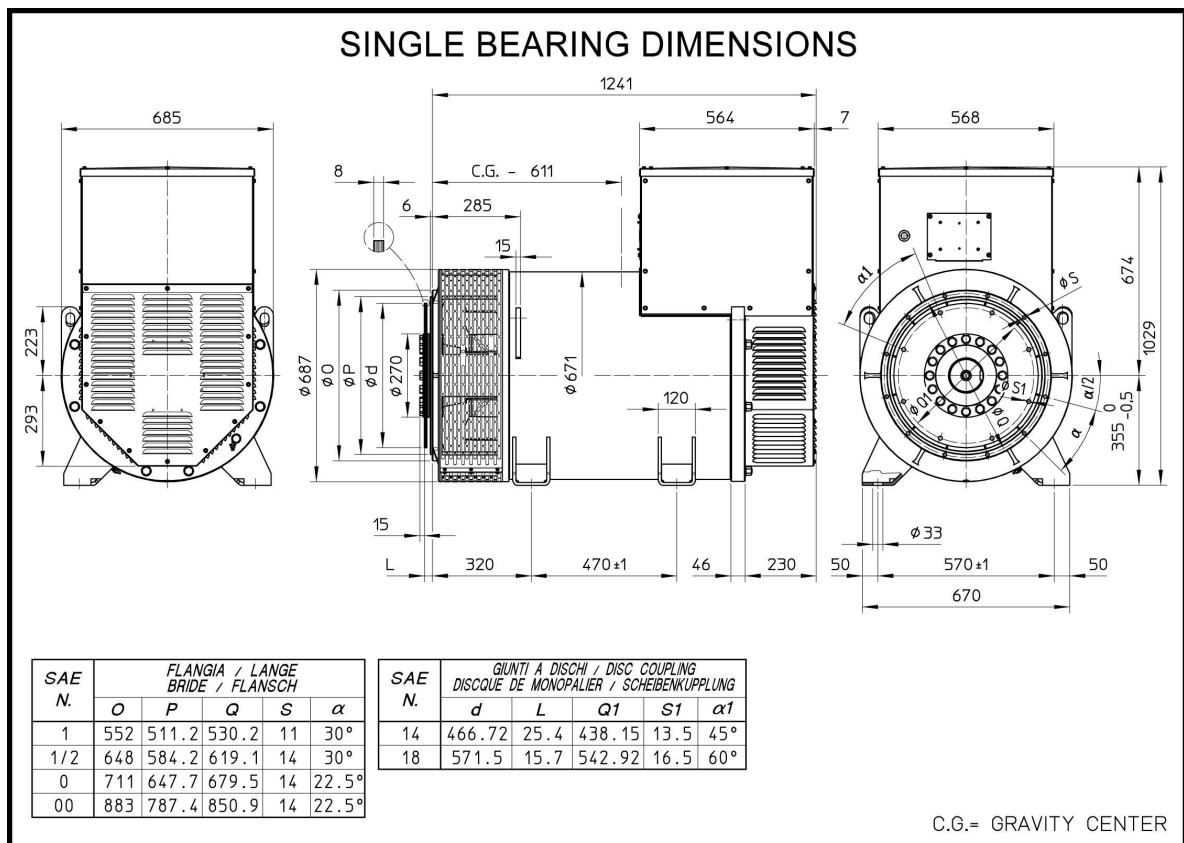
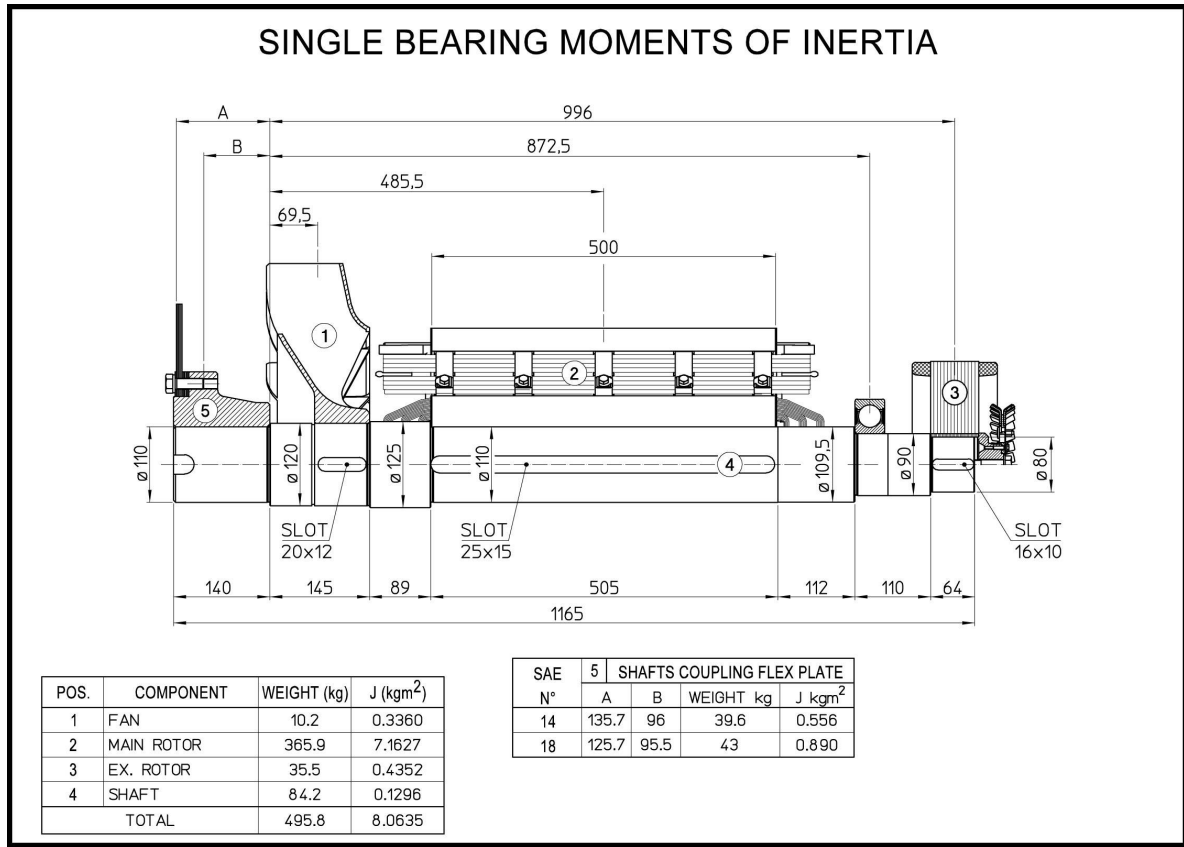
ECO40-1.5L/4 A



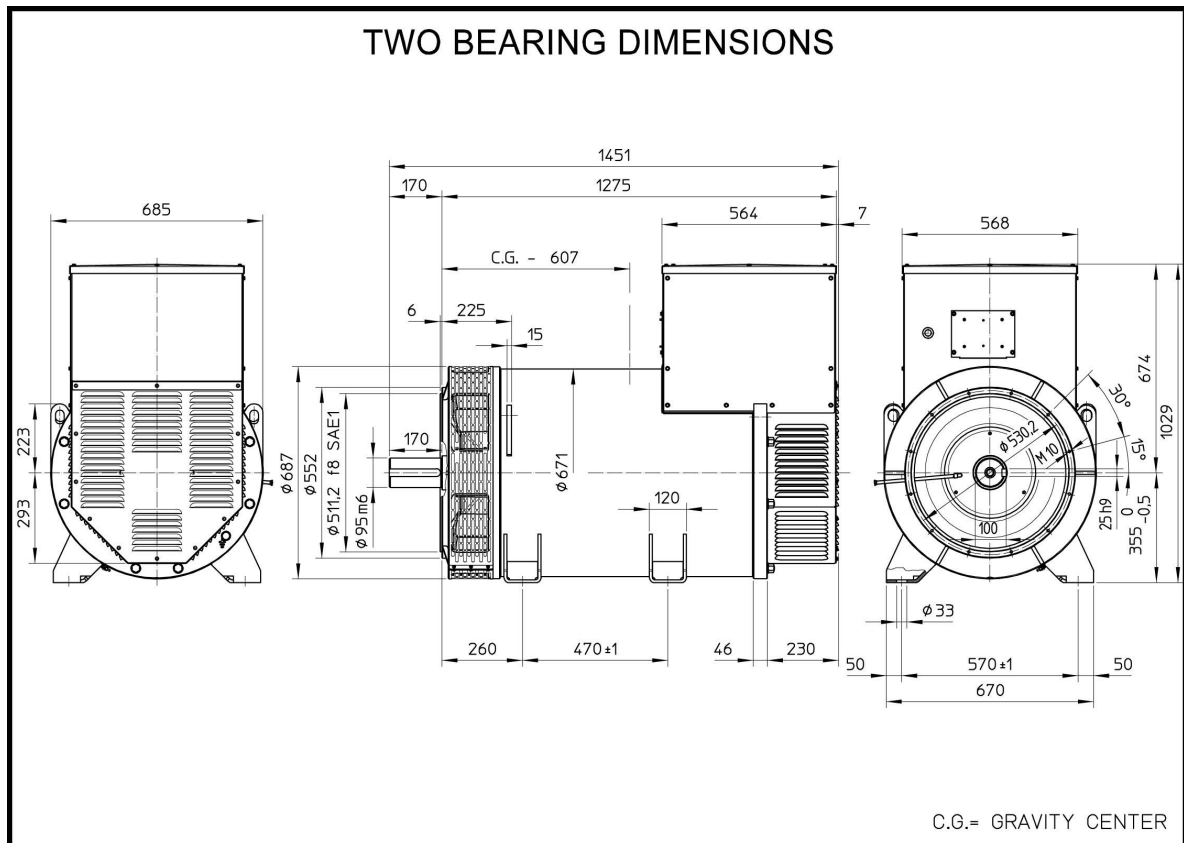
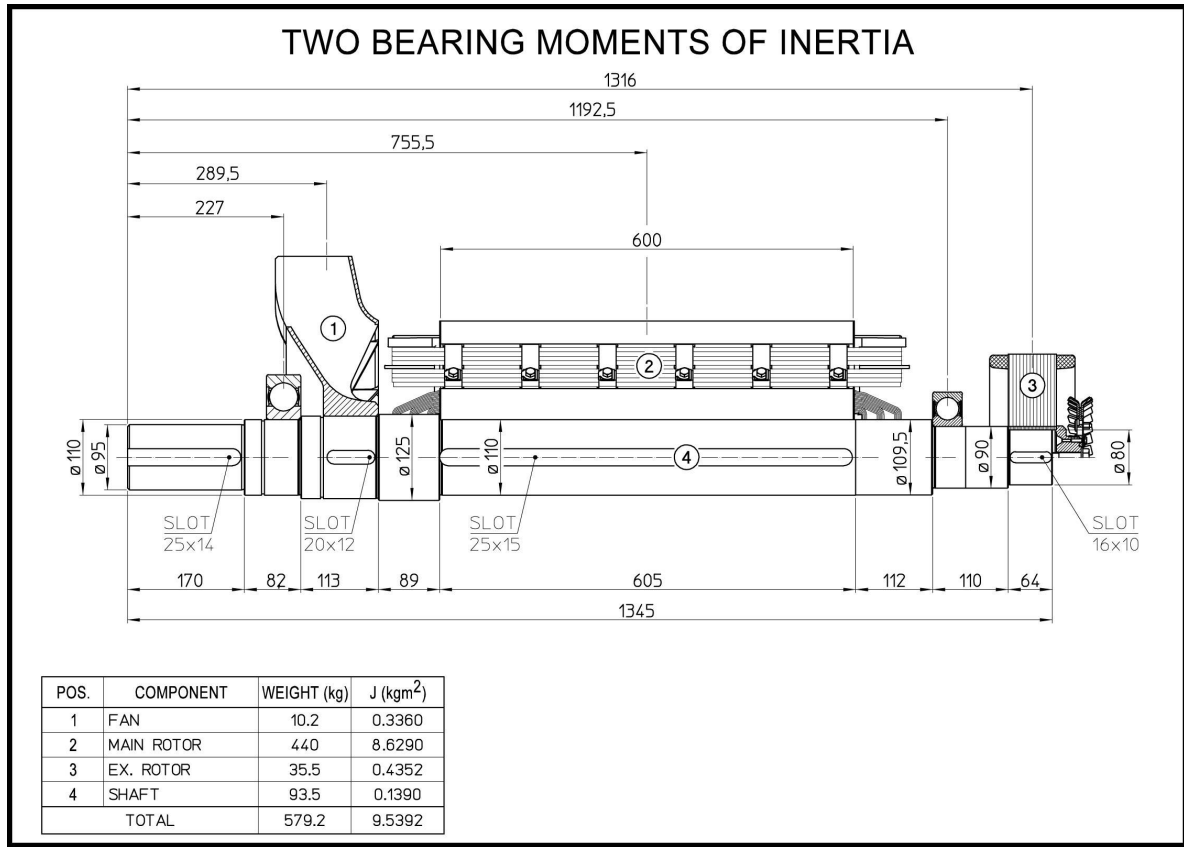
ECO40-2L/4 A



ECO40-2L/4 A

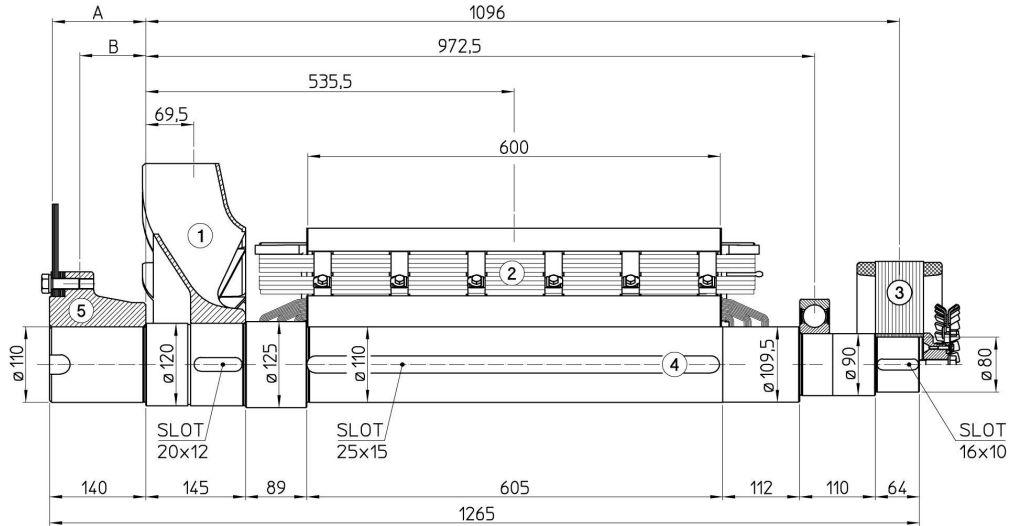


ECO40-VL/4 A



ECO40-VL/4 A

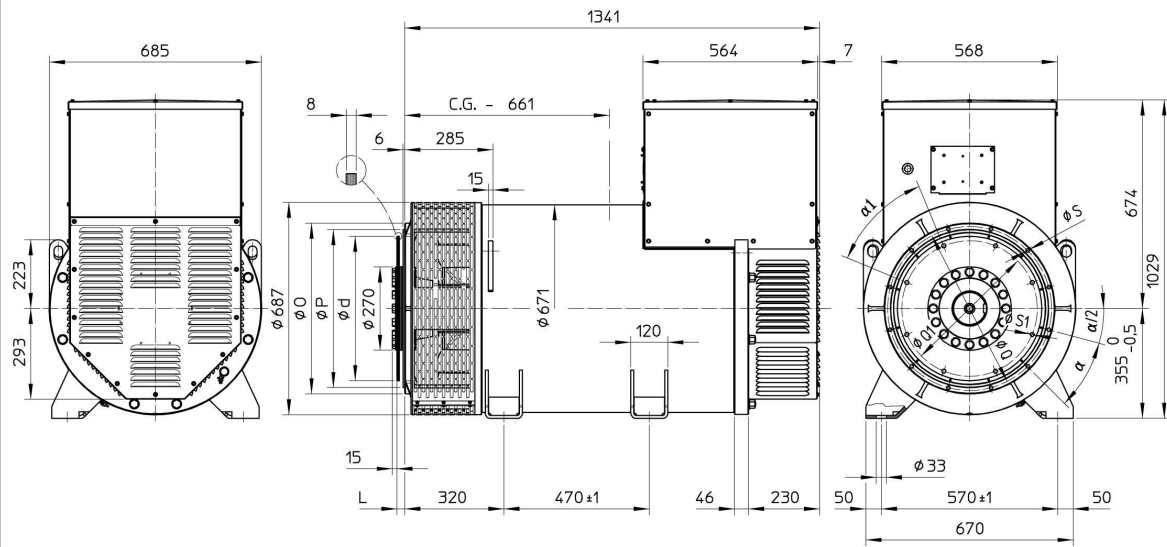
SINGLE BEARING MOMENTS OF INERTIA



POS.	COMPONENT	WEIGHT (kg)	J (kgm ²)
1	FAN	10.2	0.3360
2	MAIN ROTOR	44.0	8.6290
3	EX. ROTOR	35.5	0.4352
4	SHAFT	91.5	0.1405
TOTAL		577.2	9.5407

SAE N°	SHAFTS COUPLING FLEX PLATE			
	A	B	WEIGHT kg	J kgm ²
14	135.7	96	39.6	0.556
18	125.7	95.5	43	0.890

SINGLE BEARING DIMENSIONS



SAE N.	FLANGIA / LANGE BRIDE / FLANSCH				
	O	P	Q	S	α
1	552	511.2	530.2	11	30°
1/2	648	584.2	619.1	14	30°
0	711	647.7	679.5	14	22.5°
00	883	787.4	850.9	14	22.5°

SAE N.	GIUNTI A DISCHI / DISC COUPLING DISQUE DE MONOPALIER / SCHEIBENKUPPLUNG				
	d	L	Q1	S1	α1
14	466.72	25.4	438.15	13.5	45°
18	571.5	15.7	542.92	16.5	60°

C.G.= GRAVITY CENTER

Mecc Alte SpA (HQ)

Via Roma
20 - 36051 Creazzo
Vicenza - ITALY
T: +39 0444 396111
F: +39 0444 396166
E: info@meccalte.it
aftersales@meccalte.it

Mecc Alte Portable

Via Roma
20 - 36051 Creazzo
Vicenza - ITALY
T: +39 0444 396111
F: +39 0444 396166
E: info@meccalte.it
aftersales@meccalte.it

Mecc Alte Power Products srl

Via Melaro
2 - 36075 Montecchio
Maggiore (VI) - ITALY
T: +39 0444 1831295
F: +39 0444 1831306
E: info@meccalte.it
aftersales@meccalte.it

Zanardi Alternatori srl

Via Dei Laghi
48/B - 36077 Altavilla
Vicenza - ITALY
T: +39 0444 370799
F: +39 0444 370330
E: info@zanardialternatori.it

United Kingdom

Mecc Alte U.K. LTD
6 Lands' End Way
Oakham
Rutland, LE15 6RF
T: +44 (0) 1572 771160
F: +44 (0) 1572 771161
E: info@meccalte.co.uk
aftersales@meccalte.co.uk

Spain

Mecc Alte España S.A.
C/ Rio Taibilla, 2
Polig. Ind. Los Valeros
03178 Benijofar (Alicante)
T: +34 (0) 96 6702152
F: +34 (0) 96 6700103
E: info@meccalte.es
aftersales@meccalte.es

China

Mecc Alte Alternator Haimen LTD
755 Nanhai East Rd
Jiangsu HEDZ 226100 PRC
T: +86 (0) 513 82325758
F: +86 (0) 513 82325768
E: info@meccalte.cn
aftersales@meccalte.cn

India

Mecc Alte India PVT LTD
Plot NO: 1, Sanaswadi
Talegaon
Dhamdhare Road Taluka:
Shirur, District:
Pune - 412208
Maharashtra, India
T: +91 2137 619600
F: +91 2137 619699
E: info@meccalte.in
aftersales@meccalte.in

U.S.A. and Canada

Mecc Alte Inc.
1229 Adams Drive
McHenry, IL, 60051
T: +1 815 344 0530
F: +1 815 344 0535
E: info@meccalte.us
aftersales@meccalte.us

Germany

Mecc Alte Generatoren GmbH
Ensener Weg 21
D-51149 Köln
T: +49 (0) 2203 503810
F: +49 (0) 2203 503796
E: info@meccalte.de
aftersales@meccalte.de

Australia

Mecc Alte Alternators PTY LTD
10 Duncan Road, PO Box 1046
Dry Creek, 5094, South
Australia
T: +61 (0) 8 8349 8422
F: +61 (0) 8 8349 8455
E: info@meccalte.com.au
aftersales@meccalte.com.au

France

Mecc Alte International S.A.
Z.E. La Gagnerie
16330 ST.Amant de Boixe
T: +33 (0) 545 397562
F: +33 (0) 545 398820
E: info@meccalte.fr
aftersales@meccalte.fr

Far East

Mecc Alte (F.E.) PTE LTD
19 Kian Teck Drive
Singapore 628836
T: +65 62 657122
F: +65 62 653991
E: info@meccalte.com.sg
aftersales@meccalte.com.sg



www.meccalte.com